

Features

- Machinery Box type
- ITE Safety Approval
- Power On LED indication
- Cost effective

Model Selection



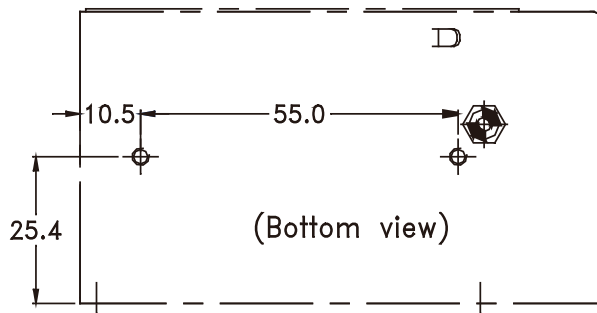
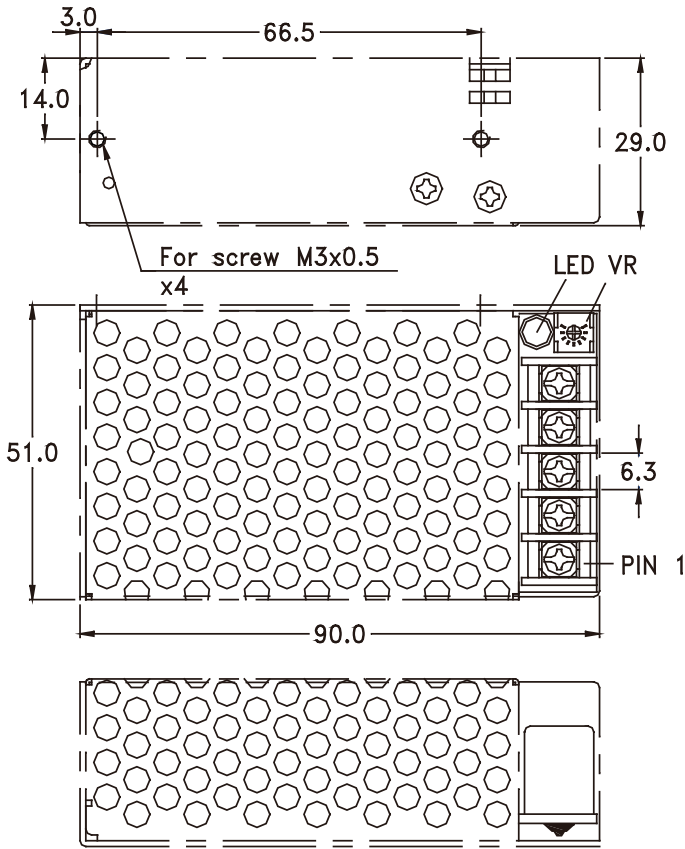
Model No.	Output Rail	Load			Initial Accuracy*	Ripple & Noise*	Efficiency
		Min	Rated	Peak*			
SNP-C03B*	+3.3V	0A	6.0A	9.0A	+3.27V~+3.33V	50mVpp	75%
SNP-C036	+5V	0A	6.0A	9.0A	+5.00V~+5.05V	1%	82%
SNP-C037	+12V	0A	2.5A	3.75A	+11.95V~+12.05V	1%	80%
SNP-C038*	+15V	0A	2.0A	3.0A	+14.95V~+15.05V	1%	84%
SNP-C039	+24V	0A	1.3A	1.9A	+23.9V~+24.1V	1%	80%
SNP-C03T	+48V	0A	0.63A	0.95A	+47.8V~+48.2V	0.5%	83%

General Specifications

– Input & Output –		– EMC –	
Input voltage range	85VAC to 264VAC	Emission	FCC/CISPR, level B
Label voltage	100VAC to 240VAC	Harmonic currents	EN61000-3-2, class A
Nominal line voltage	115VAC/230VAC	ESD	EN61000-4-2, criterion A
Input frequency range	47Hz to 63Hz		4kV contact, 8kV air discharge
Inrush current*	<30A at 115VAC, <60A at 230VAC	Radiated immunity	EN61000-4-3
Line/Load regulation	<±1%		10V/M with 80% AM, criterion A
Hold-up time	20ms typ.	EFT/Burst	EN61000-4-4, 4kV, criterion A
– Protection –		Surge	EN61000-4-5
Over Voltage*	Latch-off		1kV L-L, 2kV L-E, criterion A
Over Load/Short	Auto-recovery	Conducted immunity	EN61000-4-6
– Environmental –			10V with 80% AM, criterion A
Operating temperature	-20°C to +70°C	MS	EN61000-4-8, 3A/m, criterion A
Cooling	Convection cooling	Voltage dips	EN61000-4-11
Power derating	Refer to Power Derating Curve		30% dips 10ms, criterion A
Storage temperature	-40°C to +75°C		60% dips 100ms, criterion C
Relative humidity	10% to 90% RH, non-condensing		95% dips 5000ms, criterion C
Operating altitude	0 to 2000m	– Safety –	
		Approvals*	60950-1, 1 st edition (UL, CUL)
			EN60950-1, 2 nd edition (TUV)
			IEC60950-1, 1 st edition (CB Report)
			CE Mark

Notes

- All specifications without special notices are defined at nominal line, rated load and 25°C.
- SNP-C03B/C038 are safety compliant but without approvals.
- Initial output voltage is set at 60% rated load and 115VAC input.
- Peak load can last 8 seconds.
- Inrush current is defined at 25°C cold start and EMI capacitors are excluded.
- Over voltage protection mode is defined at 60% rated load.
- Ripple & Noise is defined with 15MHz BWL oscilloscope and 1X probe with 0.47uF+10uF output capacitor for each output.
- All specifications subject to change without notice.
- This datasheet is only for model selection. Please contact sales@skynetpower.com.tw for formal specification.



Screw protrusion
customer system

Mounting screw
Chassis

3.5 max.

*Screw torque : 6.0kgf.cm max.

Output Pin

TB2	1	2	3	4	5
Pin assignment	L	N	PE	GND	+V

Connector type*

- TB1 input/output : Terminal blocks

Dimensions

- WxLxH : 2" x 3.54" x 1.142"
51 x 90 x 29 (mm)

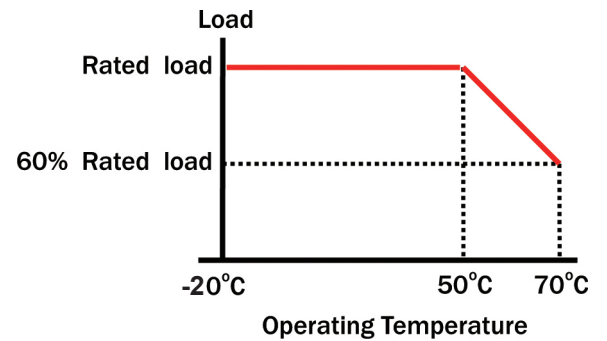
Packing

- Net weight : 180g approx./unit
- Carton size (mm) : 473(L) x 297(W) x 221(H)
- Quantity : 60 units / carton
- Gross weight : 13.2kg approx./carton

Notes

- Dimensions in left graph are shown in mm.
- Tolerance is ± 0.4 mm for distance between mounting holes, and ± 0.8 mm for other dimensions.
- This product is RoHS compliant.

Power Derating Curve (SNP-C03B/8/9)



Power Derating Curve (SNP-C036/7/T)

