

## Features

- Machinery Box type
- ITE Safety Approval
- Power On LED indication
- Cost effective

## Model Selection



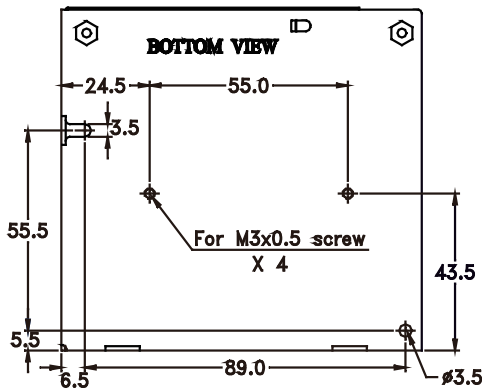
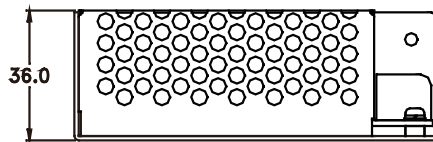
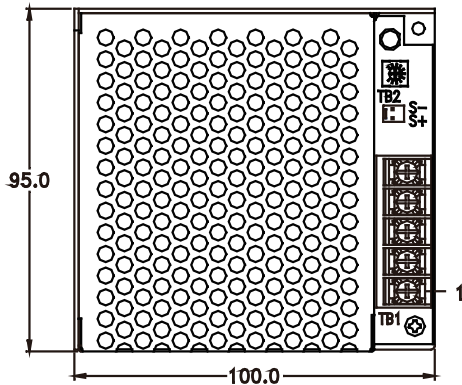
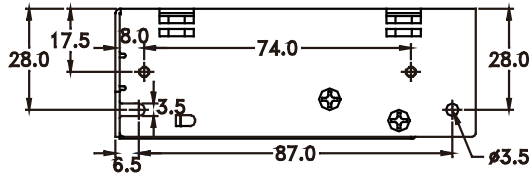
Model No.	Output Rail	Load				Initial Accuracy*	Ripple & Noise*	Load Regulation	Efficiency
		Min	Rated	Max*	Peak*				
SNP-C06B	+3.3V	0A	15A		20A	+3.27V~+3.33V	50mV	±1%	77%
SNP-C066	+5V	0A	10A		18A	+5.00V~+5.05V	1%	±1%	80%
SNP-C067	+12V	0A	5A		7.5A	+11.95V~+12.05V	1%	±1%	84%
SNP-C068	+15V	0A	4A		6A	+14.95V~+15.05V	1%	±1%	83%
SNP-C069	+24V	0A	2.5A		3.8A	+23.9V~+24.1V	1%	±1%	85%
SNP-C06T	+48V	0A	1.3A		1.9A	+47.8V~+48.2V	0.5%	±1%	86%
SNP-C063	+5V	0A	6A	8A	10A	+4.95V~+5.05V	1%	±2%	81%
	+12V	0A	2A	3A	4A	+11.4V~+12.6V	1%	±2%	
SNP-C06A	+5V	0A	4A	5A	6A	+4.98V~+5.02V	1%	±2%	83%
	+24V	0A	1.5A	2A	3A	+22.8V~+25.2V	1%	±2%	
SNP-C060	+5V	0A	5A	7A	8A	+4.95V~+5.05V	1%	±2%	80%
	+12V	0A	1.5A	2A	3A	+11.4V~+12.6V	1%	±2%	
	-5V	0A	0.5A	1A		-4.9V~-5.25V	1%	±3%	
SNP-C064	+5V	0A	5A	7A	8A	+4.95V~+5.05V	1%	±2%	80%
	+15V	0A	1.2A	2A	2.7A	+14.25V~+15.75V	1%	±2%	
	-5V	0A	0.5A	1A		-4.9V~-5.25V	1%	±3%	
SNP-C06F	+5V	0A	3A	5A	6A	+4.95V~+5.05V	1%	±2%	83%
	+12V	0A	0.9A	2A	3A	+11.4V~+12.6V	1%	±2%	
	+24V	0A	0.9A	1.5A	2A	+22.8V~+25.2V	1%	±3%	
	-12V	0A	0.5A	1A		-11.4V~-12.6V	1%	±3%	

## General Specifications

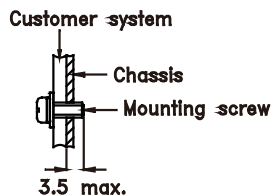
<b>– Input &amp; Output –</b>		<b>– EMC –</b>	
Input voltage range	85VAC to 264VAC	Emission	FCC/CISPR, level B
Label voltage	100VAC to 240VAC	ESD	EN61000-4-2, criterion A
Nominal line voltage	115VAC/230VAC		4kV contact, 8kV air discharge
Input frequency range	47Hz to 63Hz	Radiated immunity	EN61000-4-3
Inrush current*	<30A at 115VAC, <60A at 230VAC		10V/M with 80% AM, criterion A
Line regulation	<±1%	EFT/Burst	EN61000-4-4, 4kV, criterion A
Hold-up time	16ms typ.	Surge	EN61000-4-5, 1kV L-L, 2kV L-E, criterion A
		Conducted immunity	EN61000-4-6, 10V with 80% AM, criterion A
<b>– Protection –</b>		MS	EN61000-4-8, 3A/m, criterion A
Over Voltage*	Latch-off	Voltage dips	EN61000-4-11
Over Load/Short	Auto-recovery		30% dips 10ms, criterion A
			60% dips 100ms, criterion C
			95% dips 5000ms, criterion C
<b>– Environmental –</b>		<b>– Safety –</b>	
Operating temperature	-20°C to +70°C	Approvals	UL60950-1, 1 <sup>st</sup> edition (UL, CUL)
Cooling	Convection cooling		EN60950-1, 2 <sup>nd</sup> edition (TUV)
Power derating	Refer to Power Derating Curve		IEC60950-1, 1 <sup>st</sup> edition (CB Report)
Storage temperature	-40°C to +75°C		CE Mark
Relative humidity	10% to 90% RH, non-condensing		
Operating altitude	0 to 2000m		

### Notes

- All specifications without special notices are defined at nominal line, rated load and 25°C.
- For multiple output models, max combination load is 50W/continuous and 80W/peak.
- All single output models have +10% output adjustable range through potentiometer.
- Initial output voltage is set at 60% rated load and 115VAC input.
- Peak load can last 8 sec.
- Inrush current is defined at 25°C cold start and EMI capacitors excluded.
- Over voltage protection mode is defined at 60% rated load.
- Ripple & Noise is defined with 15MHz BWL oscilloscope and 1X probe with 0.47uF+10uF output capacitor.



Screw protrusion limitation



### Output Pin

PIN NO.	1	2	3	4	5	6	7	8
SNP-C060	L	N	PE	-12V	-5V	+12V	GND	+5V
SNP-C064	L	N	PE	-15V	-5V	+15V	GND	+5V
SNP-C06F	L	N	PE	-12V	+24V	+12V	GND	+5V
SNP-C063	L	N	PE	GND	+12V	GND	+5V	
SNP-C06A	L	N	PE	GND	+24V	GND	+5V	
Other models	L	N	PE	GND	+V			

### Connector type

- TB1 input/output : Terminal blocks
- TB2 DC output : Molex 5045-02A (Single output models)

### Dimensions

- WxLxH : 3.74" x 3.93" x 1.42" (95 x 100 x 36 mm)

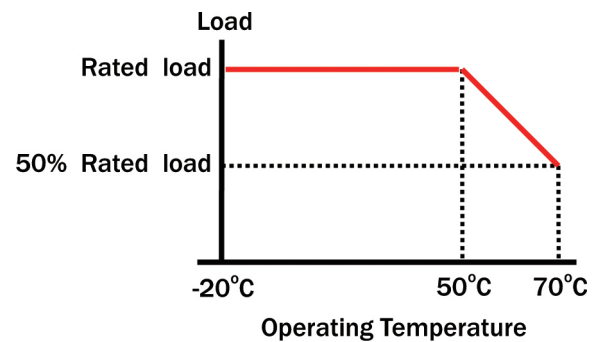
### Packing

- Net weight : 390g approx./unit
- Carton size (mm) : 403(L) x 313(W) x 278(H)
- Quantity : 30 units / carton
- Gross weight : 14.2kg approx./carton

### Notes

- For all connectors, equivalent types from other vendors could be used.
- Dimensions in left graph are shown in mm.
- Tolerance is  $\pm 0.4$ mm for distance between mounting holes, and  $\pm 0.8$ mm for other dimension.
- This product is RoHS compliant.

### Power Derating Curve (SNP-C064/6/7/F)



### Power Derating Curve (SNP-C063/8/9/A)

