

## Features

- Machinery Box type
- Built-in Active PFC
- ITE Safety Approval
- Cost effective



## Model Selection

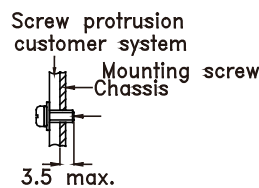
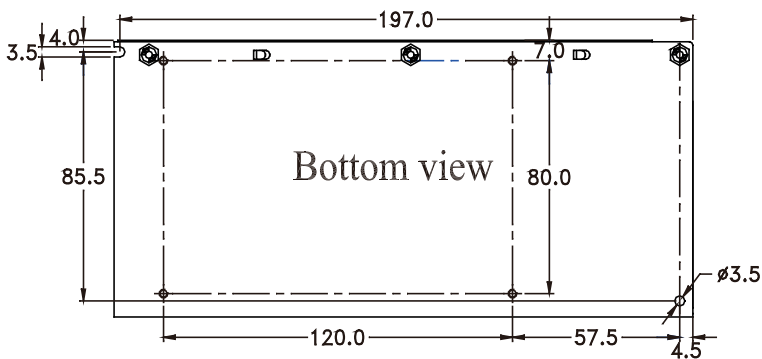
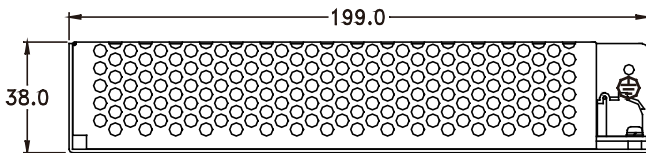
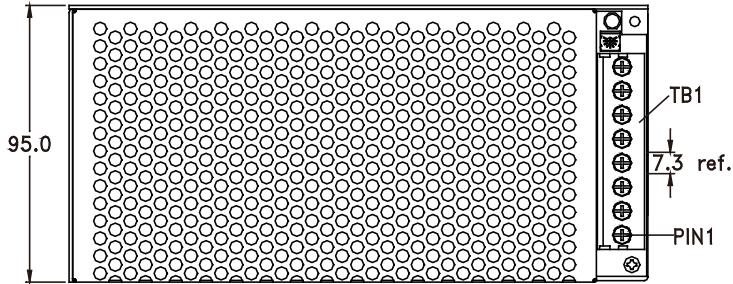
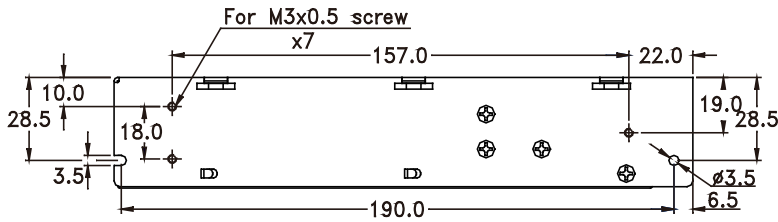
Model No.	Output Rail	Load				Initial Accuracy*	Ripple & Noise*	Load Regulation	Efficiency
		Min	Rated	Max	Peak*				
SNP-C157	+12V	0A	12.5A		19A	+11.95V~+12.05V	1%	±1%	85%
SNP-C158	+15V	0A	10A		15A	+14.95V~+15.05V	1%	±1%	85%
SNP-C159	+24V	0A	6.5A		10A	+23.9V~+24.1V	1%	±1%	85%
SNP-C15T	+48V	0A	3.2A		5A	+47.8V~+58.2V	0.5%	±1%	85%
SNP-C153	+5V	0A	12A	15A	18A	+4.95V~+5.05V	1%	±3%	80%
	+12V	0A	6A	8A	9A	+11.4V~+12.6V	1%	±3%	
SNP-C15A	+5V	0A	8A	10A	12A	+4.95V~+5.05V	1%	±3%	84%
	+24V	0A	4A	5A	6A	+22.8V~+25.2V	1%	±3%	
SNP-C150	+5V	0A	12A	15A	20A	+4.95V~+5.05V	1%	±3%	82%
	+12V	0A	5A	7A	10A	+11.4V~+12.6V	1%	±3%	
	-5V	0A	1A			-4.90V~-5.25V	1%	±3%	
SNP-C154	+12V	0A	0.5A	1A		-11.4V~-12.6V	1%	±3%	83%
	+5V	0A	11A	14A	20A	+4.95V~+5.05V	1%	±3%	
	+15V	0A	4A	6A	8A	+14.25V~+15.75V	1%	±3%	
SNP-C15F	-5V	0A	1A			-4.90V~-5.25V	1%	±3%	83%
	-15V	0A	0.5A	1A		-14.25V~-15.75V	1%	±3%	
	+5V	0A	6A	8A	10A	+4.95V~+5.05V	1%	±3%	
SNP-C15F	+12V	0A	3A	4A	6A	+11.4V~+12.6V	1%	±3%	83%
	+24V	0A	2.5A	3A	5A	+22.8V~+25.2V	1%	±3%	
	-12V	0A	0.5A	1A		-11.4V~-12.6V	1%	±3%	

## General Specifications

— Input & Output —		— EMC —	
Input voltage range	85VAC to 264VAC	Emission	FCC/CISPR, level B
Label voltage	100VAC to 240VAC	Harmonic currents	EN61000-3-2, class D
Nominal line voltage	115VAC/230VAC	ESD	EN61000-4-2, criterion A
Input frequency range	47Hz to 63Hz		4kV contact, 8kV air discharge
Inrush current*	<30A at 115VAC, <60A at 230VAC	Radiated immunity	EN61000-4-3
Line regulation	<±1%		10V/M with 80% AM, criterion A
Hold-up time	16ms typ.	EFT/Burst	EN61000-4-4, 4kV, criterion A
— Protection —		Surge	EN61000-4-5, 1kV L-L, 2kV L-E, criterion A
Over Voltage*	Latch-off	Conducted immunity	EN61000-4-6, 10V with 80% AM, criterion A
Over Load/Short	Auto-recovery	MS	EN61000-4-8, 3A/m, criterion A
— Environmental —		Voltage dips	EN61000-4-11
Operating temperature	-20°C to +70°C		30% dips 10ms, criterion A
Cooling	Convection cooling		60% dips 100ms, criterion C
Power derating	Refer to Power Derating Curve		95% dips 5000ms, criterion C
Storage temperature	-40°C to +75°C	— Safety —	
Relative humidity	10% to 90% RH, non-condensing	Approvals	UL60950-1, 1 <sup>st</sup> edition (UL, CUL)
Operating altitude	0 to 2000m		EN60950-1, 2 <sup>nd</sup> edition (TUV)
			IEC60950-1, 1 <sup>st</sup> edition (CB Report)
			CB Report, CE Mark

## Notes

- All specifications without special notices are defined at nominal line, rated load and 25°C.
- For all multiple output models, max combination load for peak load is 200W.
- Max continuous combination load is 132W for SNP-C153/C15F, 136W for SNP-C15A, 131W for SNP-C150, and 127.5W for SNP-C154.
- All single output models have +10% output adjustable range through potentiometer.
- Initial output voltage is set at 60% rated load and 115VAC input.
- Peak load can last 8 sec.
- Inrush current is defined at 25°C cold start and EMI capacitors are excluded.
- Over voltage protection mode is defined at 60% rated load.
- Ripple & Noise is defined with 15MHz BWL oscilloscope and 1X probe with 0.47uF+10uF output capacitor for each output.
- All specifications subject to change without notice.
- This datasheet is only for model selection. Please contact [sales@skynetpower.com.tw](mailto:sales@skynetpower.com.tw) for formal specification.



### Output Pin

PIN NO.	1	2	3	4	5	6	7	8
SNP-C150	L	N	PE	-12V	-5V	+12V	GND	+5V
SNP-C154	L	N	PE	-15V	-5V	+15V	GND	+5V
SNP-C15F	L	N	PE	-12V	+24V	+12V	GND	+5V
SNP-C153	L	N	PE	GND	+12V	GND	+5V	
SNP-C15A	L	N	PE	GND	+24V	GND	+5V	
Other models	L	N	PE	GND	GND	+V	+V	

### Connector type

- TB1 input/output : Terminal blocks

### Dimensions

- WxLxH : 3.74" x 7.83" x 1.5"  
95 x 199 x 38 (mm)

### Packing

- Net weight : 770g approx./unit
- Carton size (mm) : 519(L) x 326(W) x 275(H)
- Quantity : 20 units / carton
- Gross weight : 18.8kg approx./carton

### Notes

- Dimensions in left graph are shown in mm.
- Tolerance is  $\pm 0.4$ mm for distance between mounting holes, and  $\pm 0.8$ mm for other dimension.
- This product is RoHS compliant.

### Power Derating Curve

