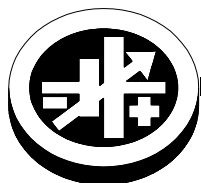


INSTRUCTION MANUAL



KEPCO An ISO 9001 Company.

PC 12 MATING CONNECTOR (UNWIRED)

KEPCO MODEL PC 12 MATING CONNECTOR (UNWIRED)

I — Description

The Kepco Model PC 12 is a 50 terminal connector, equipped with cable shell, cable clamp and locking screws. The PC 12 is designed to provide the correct termination for Kepco equipment with 50-pin, dual, edge-printed circuit rear connectors.

II — Installation (See Figure 1)

1. Disassemble the connector insert and the connector shell by removing the two mounting screws (A, B).
2. Instructions for wiring the PC 12 for model-specific applications (e.g., voltage control, current limiting, etc.) are found in the applicable Operator's manual listed in Table 1. Wire the connector terminals and insert the plastic "key" into the correct position (see Figure 1).
3. Reassemble the connector insert and the connector shell (see Figure 1).

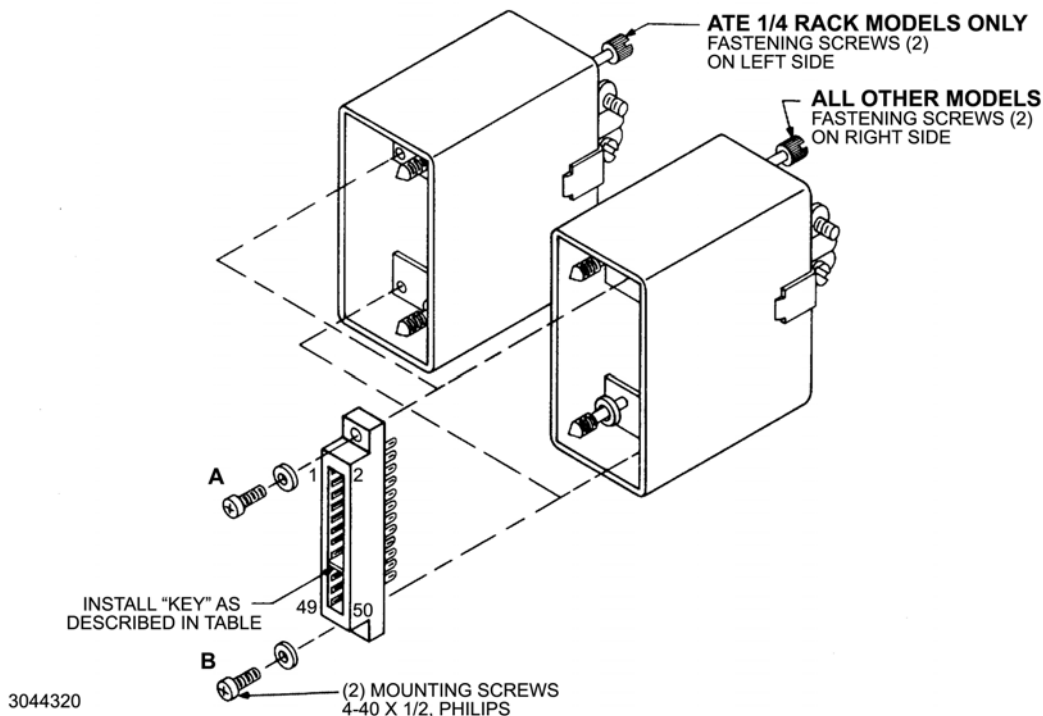


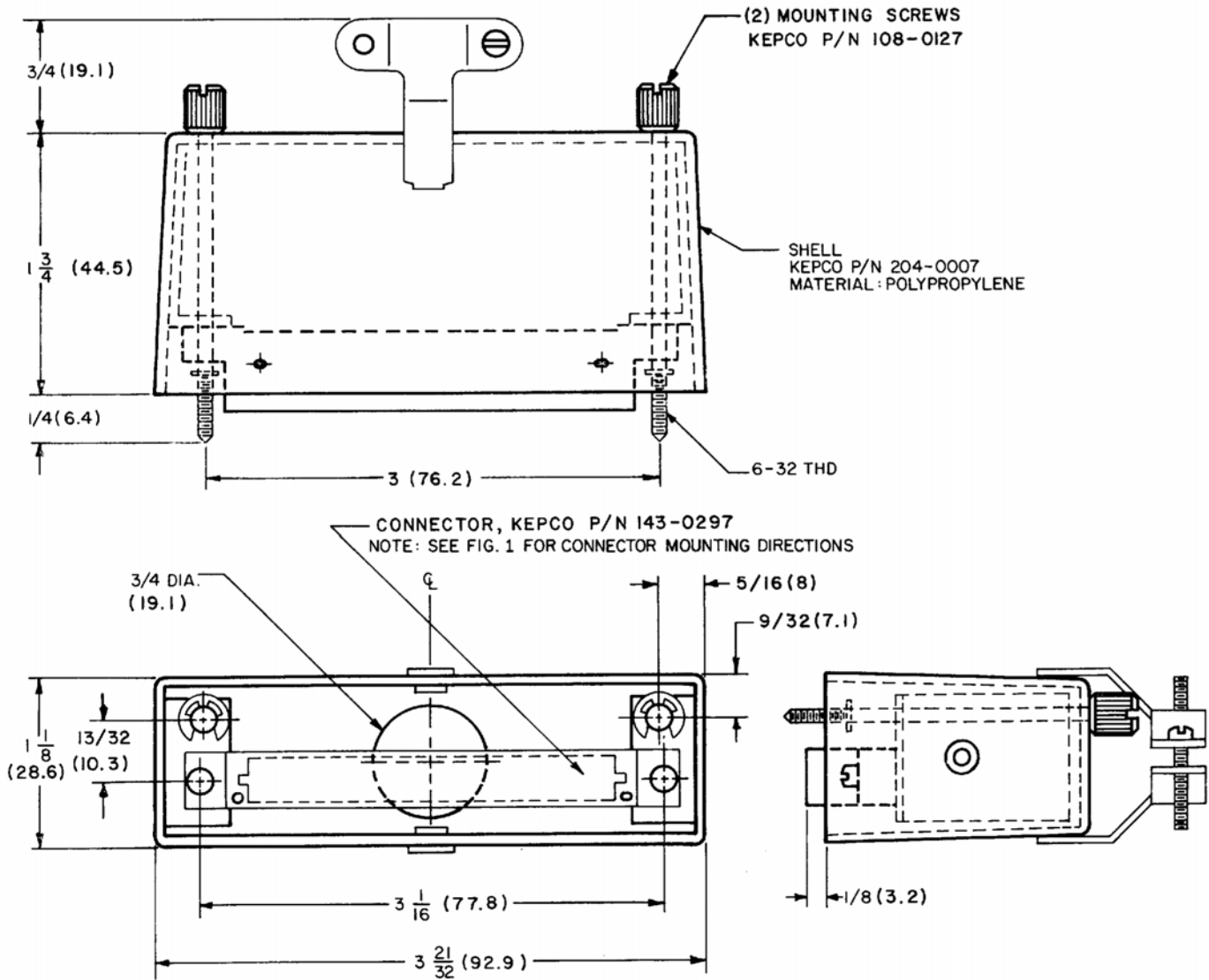
FIGURE 1. INSTALLATION OF PC 12 MATING CONNECTOR

TABLE 1. KEY POSITIONS AND ASSOCIATED OPERATOR MANUALS FOR PC 12

MODEL GROUP OPERATOR MANUAL	KEY POSITION	DOWNLOAD FROM KEPCO WEB SITE
ATE 1/4 Rack	28-30	www.kepcopower.com/support/opmanls.htm#ate
ATE 1/2 Rack	30-32	www.kepcopower.com/support/opmanls.htm#ate
ATE 3/4 Rack	30-32	www.kepcopower.com/support/opmanls.htm#ate
ATE FULL Rack	30-32	www.kepcopower.com/support/opmanls.htm#ate
BOP 100W, 200W, 400W	34-36	www.kepcopower.com/support/opmanls.htm#bop

III — Mechanical Outline Drawing

See Figure 2 for mechanical outline dimensions.



NOTE: Dimensions, given in inches and (millimeters), are for reference only.

3044321

FIGURE 2. MECHANICAL OUTLINE DRAWING, MODEL PC 12