

KEPCO MODEL PC-16 MATING CONNECTOR (WIRED, FOR MODELS BOP 500M AND BOP 1000M)

DESCRIPTION: The Kepco Model PC-16 is a 30 terminal connector, equipped with cable shell, cable clamp and locking screws. The PC-16 is designed to provide the correct termination for local (front panel) control of Kepco Models BOP 500M and BOP 1000M.

INSTALLATION

- 1) Unpack the Model PC-16 connector from the polyethylene bag.
- 2) Mate connector with the Model BOP rear edge connector.
- 3) Secure Model PC-16 connector to the rear of the BOP by engaging and hand-tightening the two knurled fastening screws.

MECHANICAL OUTLINE DRAWING: Refer to FIG. 2 (reverse side).

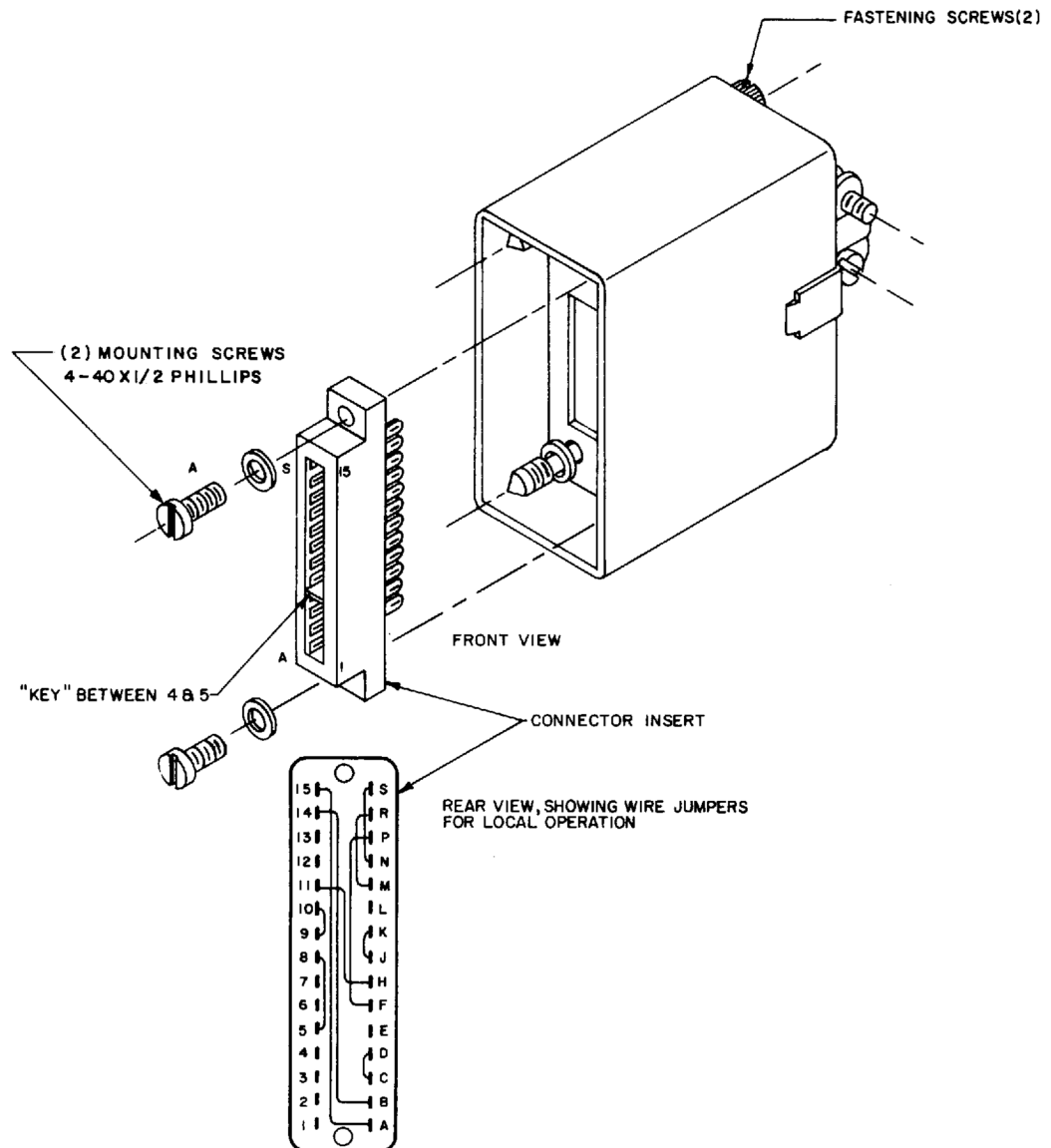


FIG. 1 DISASSEMBLED VIEW OF THE PC-16 MATING CONNECTOR.

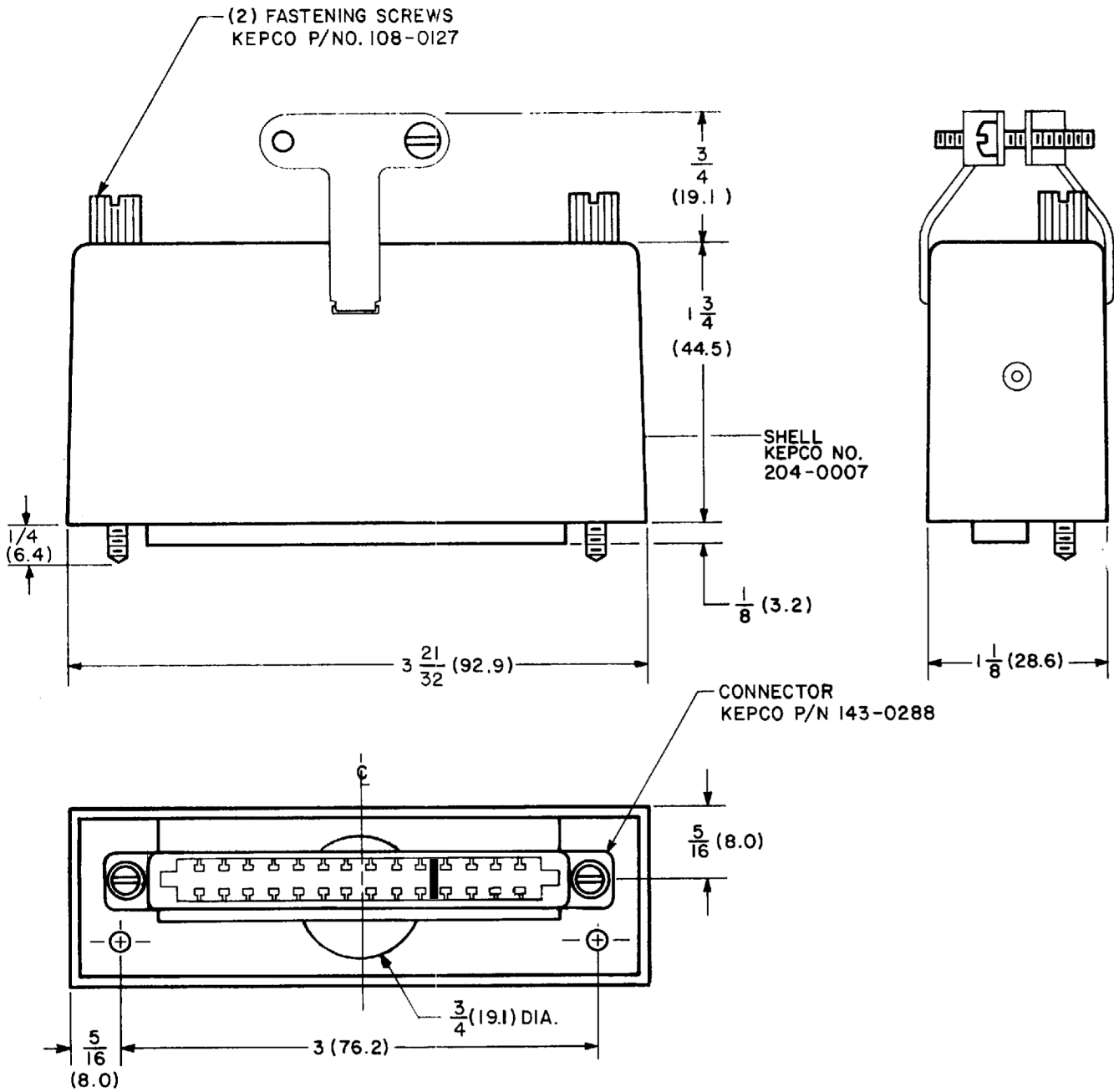


FIG. 2 MECHANICAL OUTLINE DRAWING, MODEL PC-16
 NOTE: Dimensions, given in inches and (millimeters), are for reference only.