

OPERATOR'S MANUAL

HIGH VOLTAGE BIPOLAR POWER SUPPLY

KEPCO INC.
An ISO 9001 Company.

CE

MODEL

**BOP 500M, BOP 500DM
BOP 1000M, BOP 1000DM
POWER SUPPLY**

IMPORTANT NOTES:

- 1) This manual is valid for the following Model and associated serial numbers:

MODEL	SERIAL NO.	REV. NO.
-------	------------	----------

- 2) A Change Page may be included at the end of the manual. All applicable changes and revision number changes are documented with reference to the equipment serial numbers. Before using this Instruction Manual, check your equipment serial number to identify your model. If in doubt, contact your nearest Kepco Representative, or the Kepco Documentation Office in New York, (718) 461-7000, requesting the correct revision for your particular model and serial number.
- 3) The contents of this manual are protected by copyright. Reproduction of any part can be made only with the specific written permission of Kepco, Inc.

Data subject to change without notice.

©2011, KEPCO, INC
P/N 228-1733-b



KEPCO, INC. • 131-38 SANFORD AVENUE • FLUSHING, NY. 11355 U.S.A. • TEL (718) 461-7000 • FAX (718) 767-1102
email: hq@kepcopower.com • World Wide Web: <http://www.kepcopower.com>

OPERATOR SAFETY INSTRUCTIONS

Read these safety instructions, as well as the applicable installation and operating instructions contained in this manual before using the power supply.





Do not touch the output terminals. The high voltage output is dangerous. Electric shock can cause injury or death.

Do not remove the cover or disassemble the unit. There are no operator serviceable components or adjustments inside the unit. High voltage components inside the unit can cause serious injury even with input power disconnected.

Service must be referred to authorized personnel. Using the power supply in a manner not specified by Kepco, Inc. may impair the protection provided by the power supply. Observe all safety precautions noted throughout this manual. The following table lists symbols used on the power supply or in this manual where applicable.

SAFETY SYMBOLS

SYMBOL	Meaning
	WARNING: RISK OF ELECTRIC SHOCK. INDICATES THE POSSIBILITY OF BODILY INJURY OR DEATH.
	CAUTION: REFER TO REFERENCED PROCEDURE. INDICATES THE POSSIBILITY OF EQUIPMENT DAMAGE.

CAUTION

If this power supply is used in OEM equipment, the OEM equipment manufacturer is responsible for attaching appropriate warning labels on the OEM equipment.

Operating the power supply outside the specified limits for input voltage, temperature, or other environmental conditions noted in this manual can damage the power supply and void the warranty.

Safety Messages

The BOP HV protection circuit is designed to protect the load against unregulated high voltages. Upon sensing a high temperature signal, the protection circuit shuts down the output stage before the overtemperature can destroy the transistors. In addition to that, the protection circuit shuts down the output stage when there is a lapse of AC input power for more than 8 ms. This feature is provided so as to avoid an uncontrolled output signal during the shut OFF of the power supply.

Declaration of Conformity

Application of Council directives: **73/23/EEC (LVD)**
93/68/EEC (CE mark)

Standard to which Conformity is declared:

EN61010-1:2001 (Safety requirements for electrical equipment for measurement, control and laboratory use - Part 1)

Manufacturer's Name and Address: **KEPCO INC.**
131-38 SANFORD AVENUE
FLUSHING, N.Y. 11355 USA

Importer's Name and Address:

REPRESENTATIVE COPY

Type of Equipment: **Component Power Supply**

Model No.: **[PRODUCT MODEL NUMBER]**

Year of Manufacture:

I, the undersigned, declare that the product specified above, when used in conjunction with the conditions of conformance set forth in the product instruction manual, complies with the requirements of the Low Voltage Directive 73/23/EEC, which forms the basis for application of the CE Mark to this product.

Place: **KEPCO Inc.**
131-38 Sanford Ave.
Flushing, N.Y.11355 USA

Saul Kupferberg
(Full Name)

Date: _____

VP OF SALES
(position)

Conditions of Conformance

When this product is used in applications governed by the requirements of the EEC, the following restrictions and conditions apply:

1. For European applications, requiring compliance to the Low Voltage Directive, 73/23/EEC, this power supply is considered a component product, designed for "built in" applications. Because it is incomplete in construction, the end product enclosure must provide for compliance to any remaining electrical safety requirements and act as a fire enclosure. (EN61010-1 Cl. 6, Cl. 7, Cl.8, Cl. 9 and EN61010-1 annex F)
2. This power supply is designed for stationary installation, with mains power applied via a detachable power supply cord or via direct wiring to the source power terminal block.
3. This power supply is considered a Class 1 (earthed) product, and as such depends upon proper connection to protective earth for safety from electric shock. (EN61010-1 Cl. 6.5.4)
4. This power supply is intended for use as part of equipment meant for test, measurement and laboratory use, and is designed to operate from single phase, three wire power systems. This equipment must be installed within a suitably wired equipment rack, utilizing a three wire (grounded) mains connection. See wiring section of this manual for complete electrical wiring instructions. (EN61010-1 Cl. 6.5.4 and Cl.6.10.1)
5. This power supply has secondary output circuits that are considered hazardous, and which exceed 240 VA at a potential of 2V or more.
6. The output wiring terminals of this power supply have not been evaluated for field wiring and, therefore, must be properly configured by the end product manufacturer prior to use.
7. This power supply employs a supplementary circuit protector in the form of a circuit breaker mounted on the front panel. This circuit breaker protects the power supply itself from damage in the event of a fault condition. For complete circuit protection of the end product, as well as the building wiring, it is required that a primary circuit protection device be fitted to the branch circuit wiring. (EN61010-1 Cl. 9.6.2)
8. Hazardous voltages are present within this power supply during normal operation. All operator adjustments to the product are made via externally accessible switches, controls and signal lines as specified within the product operating instructions. There are no user or operator serviceable parts within the product enclosure. Refer all servicing to qualified and trained Kepco service technicians.

SAFETY INSTRUCTIONS

1. Installation, Operation and Service Precautions

This product is designed for use in accordance with EN 61010-1 and UL 3101 for Installation Category 2, Pollution Degree 2. Hazardous voltages are present within this product during normal operation. The product should never be operated with the cover removed unless equivalent protection of the operator from accidental contact with hazardous internal voltages is provided:



There are no operator serviceable parts or adjustments within the product enclosure. Refer all servicing to trained service technician.



Source power must be removed from the product prior to performing any servicing.



This product is factory-wired for the nominal a-c mains voltage indicated on the rating nameplate located adjacent to the source power connection on the product's rear panel. To reconfigure the product input for other nominal mains voltages as listed herein, the product must be modified by a trained service technician.

2. Grounding

This product is a Class 1 device which utilizes protective earthing to ensure operator safety.



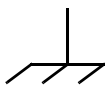
The PROTECTIVE EARTHING CONDUCTOR TERMINAL must be properly connected prior to application of source power to the product (see instructions on installation herein) in order to ensure safety from electric shock.



PROTECTIVE EARTHING CONDUCTOR TERMINAL - This symbol indicates the point on the product to which the protective earthing conductor must be attached.



EARTH (GROUND) TERMINAL - This symbol is used to indicate a point which is connected to the PROTECTIVE EARTHING TERMINAL. The component installer/ assembler must ensure that this point is connected to the PROTECTIVE EARTHING TERMINAL.



CHASSIS TERMINAL - This symbol indicates frame (chassis) connection, which is supplied as a point of convenience for performance purposes (see instructions on grounding herein). This is not to be confused with the protective earthing point, and may not be used in place of it.

3. Electric Shock Hazards

This product outputs hazardous voltage and energy levels as a function of normal operation. Operators must be trained in its use and exercise caution as well as common sense during use to prevent accidental shock.



This symbol appears adjacent to any external terminals at which hazardous voltage levels as high as 500V d-c may exist in the course of normal or single fault conditions.



This symbol appears adjacent to any external terminals at which hazardous voltage levels in excess of 500V d-c may exist in the course of normal or single fault conditions.

TABLE OF CONTENTS

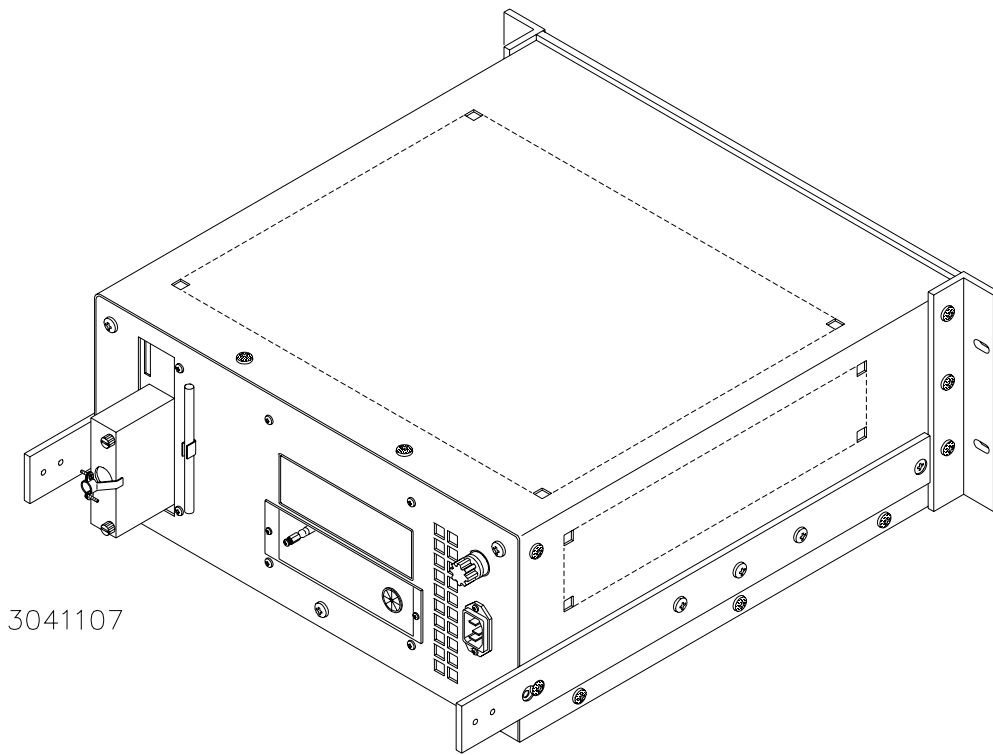
SECTION	PAGE
SECTION 1 - INTRODUCTION	
1.1	Scope of Manual 1-1
1.2	General Description..... 1-1
1.3	Electrical Specifications, General..... 1-1
1.4	Electrical Specifications, Performance 1-2
1.5	Miscellaneous Features 1-4
1.6	Mechanical Specifications 1-6
1.7	Accessories 1-7
SECTION 2 - INSTALLATION	
2.1	Unpacking And Inspection..... 2-1
2.2	Terminations..... 2-1
2.3	A-C Power Input Requirements..... 2-4
2.4	Cooling 2-4
2.5	Preliminary Checkout 2-4
2.6	Installation 2-6
SECTION 3 - OPERATION	
3.1	Introduction..... 3-1
3.2	BOP Operation with Local (Front Panel) Output Control..... 3-7
3.2.1	Voltage Mode Operation with Current Limiting 3-7
3.2.2	Current Mode Operation with Voltage Limiting 3-7
3.3	BOP Operation with Remote Control of the Voltage Control Channel 3-8
3.3.1	Remote D-C Output Voltage Control By Resistance 3-8
3.3.2	Remote D-C Voltage Control By Means of D-C Signal Voltage 3-10
3.3.3	The BOP as an Amplifier 3-11
3.4	BOP Operation with Remote Control of the Current Control Channel..... 3-14
3.4.1	Remote Control of the Bop Current Channel..... 3-15
3.4.2	Remote Control of the Bop Current Limit..... 3-19
3.4.3	Remote Control of the BOP Voltage Limit 3-21

LIST OF FIGURES

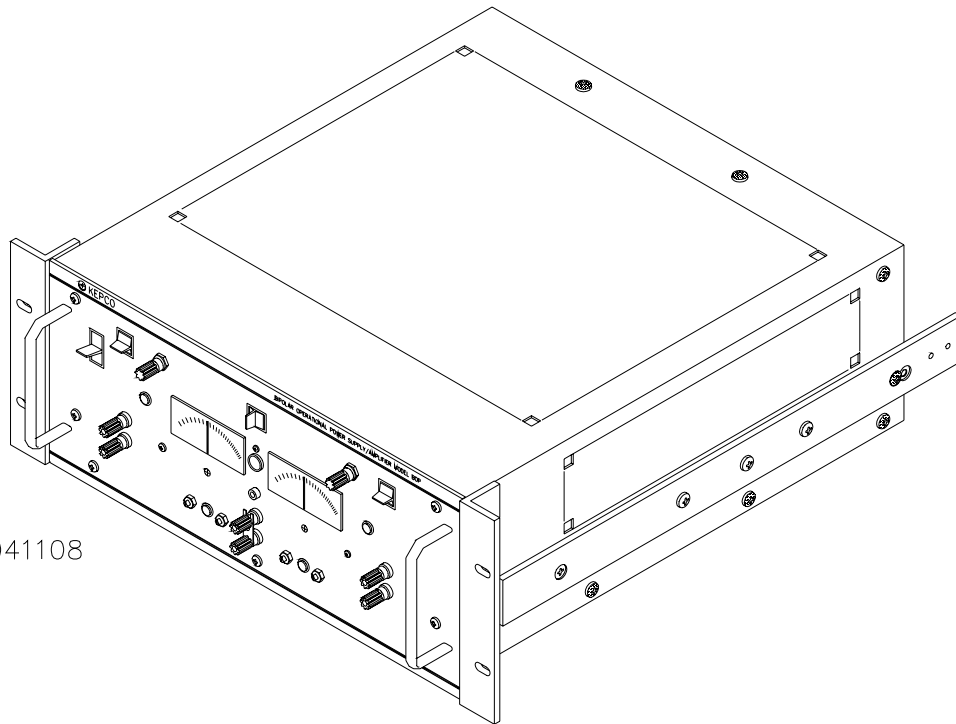
FIGURE	TITLE	PAGE
1-1	BOP (High Voltage) Operational Power Supply	iv
1-2	BOP Output Characteristic	1-4
1-3	BOP Output Waveform with Phase Shift	1-5
1-4	Mechanical Outline Drawing, BOP – HV	1-8
2-1	Location of Internal Calibration Controls	2-1
2-2	BOP Terminations and Controls.....	2-2
2-3	A-C Source Voltage Selector, Location.....	2-4
2-4	Rear Programming Connector Wired For Front Panel Operation	2-5
2-5	Rack Installation of the BOP	2-6
3-1	BOP Voltage Control Channel.....	3-2
3-2	BOP Current Control Channel.....	3-3
3-3	BOP (\pm) Voltage Limiting Circuit.....	3-3
3-4	BOP (\pm) Current Limiting Circuit.....	3-4
3-5	Basic 2-Wire Load Connection and Grounding Connections Between the BOP and the Load	3-4
3-6	Load Connection with Error Sensing and Grounding Connections Between the BOP and the Load	3-5
3-7	Remote Potentiometer Control of the BOP D-C Output Voltage.....	3-9
3-8	Remote D-C Output Voltage Control By Means of a Two Terminal Resistance (Decade).....	3-9
3-9	Digital Control of the BOP D-C Output Voltage.....	3-10
3-10	BOP D-C Output Voltage Control with a High Impedance, (\pm) 1V Signal Source	3-11
3-11	Graphs of Possible BOP Input/Output Waveshapes.....	3-12
3-12	Basic Programming Circuit for Use of the BOP as a Bipolar Amplifier (Voltage Mode).....	3-13
3-13	Programming Circuit for Driving the BOP Output Voltage with a Bipolar (\pm 1V) Signal	3-14
3-14	Programming Circuit for Driving the BOP Output Voltage with a High Impedance Source, Using the Non-inverting Input of the Pre-amplifier	3-15
3-15	Local (Front Panel) Control of the BOP Output Current with the Bipolar Current Control	3-15
3-16	Remote Potentiometer Control of the BOP Output Current	3-16
3-17	Remote Output Current Control By Means of a Two Terminal Resistance.....	3-16
3-18	Digital Control of the BOP Output Current	3-17
3-19	BOP Output Current Control with a High Impedance (\pm) 1 Volt Signal Source.....	3-17
3-20	Basic Programming Circuit for Use of the BOP as a Bipolar Current Stabilized Amplifier	3-18
3-21	Programming Circuit for Driving the BOP Output Current with a Bipolar Signal Less Than \pm 10V (Example Shown: \pm 1V Source)	3-18
3-22	Programming Circuit for Driving the BOP Output Current with a High Impedance Source	3-19
3-23	Local (Front Panel) Control of the BOP Current Limit Circuits	3-20
3-24	Symmetrical Remote Control of the BOP Current Limits	3-20
3-25	Independent Remote Control of the BOP (+) I_O and (-) I_O Limits	3-21
3-26	Local (Front Panel) Control of the BOP Voltage Limit Circuits.....	3-21
3-27	Symmetrical Remote Control of the BOP Voltage Limit Circuit.....	3-22
3-28	Independent Remote Control of the BOP Voltage Limit Circuits.....	3-22

LIST OF TABLES

TABLE	TITLE	PAGE
1-1	Output Ranges and Impedance	1-2
1-2	Output Effects, Offsets and Reference Specifications	1-2
1-3	Dynamic Specifications	1-4
2-1	Internal Calibration Controls	2-1
2-2	BOP Terminations and Controls	2-3



3041107



3041108

FIGURE 1-1. BOP (HIGH VOLTAGE) OPERATIONAL POWER SUPPLY

SECTION 1 - INTRODUCTION

1.1 SCOPE OF MANUAL

This manual contains instructions for the installation and operation of the Models BOP 500M, BOP 500DM, BOP 1000M and BOP 1000DM Bipolar Operation Power Supplies, manufactured by Kepco, Inc., Flushing, New York, U.S.A.

1.2 GENERAL DESCRIPTION

The Kepco Model BOP 500M and BOP 1000M are high voltage power sources, which combine the capabilities of fast programmable power supplies with a Class A output stage, which can respond bidirectionally from zero. Models with the DM suffix are similar to M suffix models, except that the analog front panel meters are replaced by digital meters. The "BOP" can be operated in a "Voltage Stabilizing" or "Current Stabilizing" operating mode (selectable by a front panel switch). The BOP incorporates two separate control channels, for local (front panel) or remote control of the output current and the output voltage. In addition, bounding currents for bipolar voltage and current limiting are provided which may be adjusted manually (by front panel controls) or can be remotely programmed. All control and bounding channels are connected to the bipolar (Class A) output stage via an "EXCLUSIVE-OR" gate, so that only one circuit is in control of the BOP output at any one time. Some applications are listed below:

- A) VOLTAGE MODE OPERATION. (Current limiting either front panel adjusted or remotely programmed using the current limiting channel).
 - 1) High speed, bipolar d-c voltage source (remote or locally controlled output).
 - 2) Scaling or summing amplifier with or without d-c bias.
- B) CURRENT MODE OPERATION. (Voltage limiting either front panel adjusted or remotely programmed using the voltage limiting channel).
 - 1) High speed, bipolar d-c current source (remote or locally controlled output).
 - 2) Amplification of a-c currents with or without d-c bias.

The main chassis of the Model BOP Operational Power Supply/Amplifier is constructed of plated steel. The wrap-around cover is perforated steel, plated and painted in a dark gray texture. The front panel material is aluminum, treated and painted light gray (Color 26440 per Fed. Std. 595). The major part of the circuitry is located on plug-in type circuit boards for convenient access.

1.3 ELECTRICAL SPECIFICATIONS, GENERAL

- A) INPUT SOURCE REQUIREMENTS: 105 to 125Vac or 210 to 250Vac, 50 to 65 Hz, selectable by the SOURCE VOLTAGE SELECTOR SWITCH (refer to Section 2, Fig. 2-3). Power consumption approximately 250 Watts. Power factor: 0.8. The primary circuit is protected by a fuse.
- B) OPERATING TEMPERATURE RANGE: -20°C TO +65°C.
- C) STORAGE TEMPERATURE RANGE: -40°C to +85°C.

- D) COOLING: Forced air using a d-c fan blowing to the rear of the unit.
- E) ISOLATION FROM GROUND: The BOP circuitry, its output and programming terminals have no d-c connection to the chassis. The COMMON terminal of the BOP can be operated up to 500 volts (d-c or peak a-c) off ground. The common mode current (leakage from output to ground) is less than 50 μ A (rms) or 200 μ A (p-p) at 115Vac power input, 60 Hz.

1.4 ELECTRICAL SPECIFICATIONS, PERFORMANCE

- A) OUTPUT RANGES: See Table 1-1.
- B) OUTPUT IMPEDANCE: See Table 1-1.
- C) OUTPUT EFFECTS: See Table 1-2.

TABLE 1-1. OUTPUT RANGES AND IMPEDANCE

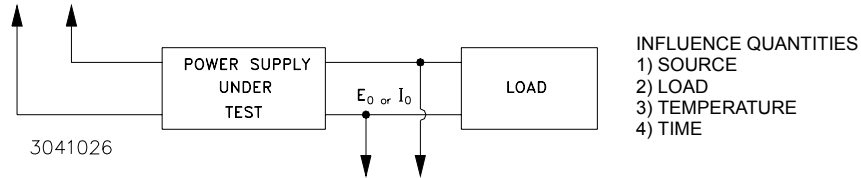
MODEL	d-c OUTPUT RANGE		OUTPUT IMPEDANCE	
	VOLTS	mA	VOLTAGE MODE	CURRENT MODE
			d-c OHMS + SERIES L	d-c OHMS + SHUNT C
BOP 500M	-500 TO +500	-80 TO +80	0.05 Ω +5mH	100M Ω +0.3 μ F
BOP 1000M	-1000 TO +1000	-40 TO +40	0.2 Ω +50mH	400 M Ω + 0.4 μ F

TABLE 1-2. OUTPUT EFFECTS, OFFSETS AND REFERENCE SPECIFICATIONS

INFLUENCE QUANTITY	OUTPUT EFFECTS ⁽¹⁾		PRE-AMPLIFIER OFFSETS		REFERENCES
	VOLTAGE MODE	CURRENT MODE	ΔE_{IO}	ΔI_{IO}	
SOURCE: 105-125/210-250Va-c	<0.0005%	<0.0005% ⁽⁵⁾	<5 μ V ⁽⁴⁾	<1nA	<0.0005%
LOAD: No Load - full load	<0.0005%	<0.005%	-	-	<0.0005%
TIME: 8-hour (drift)	<0.01%	<0.01%	<20 μ V ⁽⁴⁾	<1nA	<0.005%
TEMPERATURE: Per °C	<0.01%	<0.01%	<20 μ V ⁽⁴⁾	<1nA	<0.005%
UNPROGRAMMED OUTPUT					
DEVIATION: ⁽²⁾	rms	<10 mV	<25 μ A ⁽⁴⁾	-	<10 μ V
(Ripple and Noise)	p-p	<200 mV ⁽³⁾	<500 μ A ⁽⁴⁾	-	<100 μ V

(1) Specifications are expressed as a percentage of the nominal power supply output (either voltage or current for either BOP 500M or BOP 1000M).
(2) Common terminal grounded so that the common-mode current does not flow through the load.
(3) 20 Hz to 10 MHz.
(4) For frequency components in the bandwidth of the current stabilizer. Beyond cutoff, noise will appear as a voltage component equal to the rated voltage mode noise.
(5) Or 0.2 mA, whichever is greater.

NOTE: In this instruction manual, Kepco will follow the NEMA standards for d-c Power Supplies and speak of the “Output Effects,” caused by changes in the “Influence Quantities.” The “Output Effects” are specified either as a percentage change, referred to the maximum specified output voltage (E_O) or current (I_O), or as an absolute change (ΔE_O , ΔI_O), directly in millivolts or milliamperes or both. The illustration below will clarify the NEMA terms.



- | | | |
|-----------------------|--|------------------------------------|
| 1) DUE TO SOURCE | = SOURCE EFFECT | (FORMERLY LINE REGULATION) |
| 2) DUE TO LOAD | = LOAD EFFECT | (FORMERLY LOAD REGULATION) |
| 3) DUE TO TEMPERATURE | = TEMPERATURE EFFECT COEFFICIENT | (FORMERLY TEMPERATURE COEFFICIENT) |
| 4) DUE TO TIME | = DRIFT | (FORMERLY STABILITY) |

D) The BOP output effects, in response to the tabulated variation in the INFLUENCE QUANTITIES, are given in Table 1-2 for the built-in input and feedback resistor values of the voltage and current channel preamplifiers. The tabulated OFFSET values (see Table 1-2) may be used to calculate the BOP output effects if the BOP voltage or current channel is remotely programmed and different values for the feedback resistors (R_f) and the input resistors (R_i) are used. In this case, the tabulated preamplifier offsets and the values of the feedback and input resistors are combined in an “Error Equation”, which represents the “Worst Case” output effect for the application at hand:

$$\text{VOLTAGE MODE: } \Delta E_O = G [\pm \Delta E_{iO} (1 + R_f / R_i) \pm \Delta I_{iO} R_f \pm \Delta E_{ref}]$$

$$\text{CURRENT MODE: } \Delta I_O = \frac{1}{10 \times R_S} [\pm \Delta E_{iO} (1 + R_f / R_i) \pm \Delta I_{iO} R_f \pm \Delta E_{ref}]$$

R_S = CURRENT SENSING RESISTOR (BOP 500M = 12.5Ω, BOP 1000M = 25Ω)

ΔI_O = TOTAL OUTPUT CURRENT CHANGE

G = CLOSED LOOP GAIN (BOP 500M = 50, BOP 1000M = 100)

- WHERE:
- ΔE_O = TOTAL OUTPUT VOLTAGE CHANGE
 - ΔE_{ref} = CHANGE IN THE VOLTAGE REFERENCE
 - ΔE_{iO} = CHANGE IN OFFSET VOLTAGE
 - ΔI_{iO} = CHANGE IN OFFSET CURRENT
 - R_f = EXTERNAL FEEDBACK RESISTOR
 - R_i = EXTERNAL INPUT RESISTOR

NOTE: Variations in the value of the feedback and input resistors are considered secondary effects in the Error Equation.

- E) DYNAMICS: The dynamic response of the BOP output are tabulated in Table 1-3 in both the time domain (Output response to a step program) and in the frequency domain (bandwidth) for large and small signals.

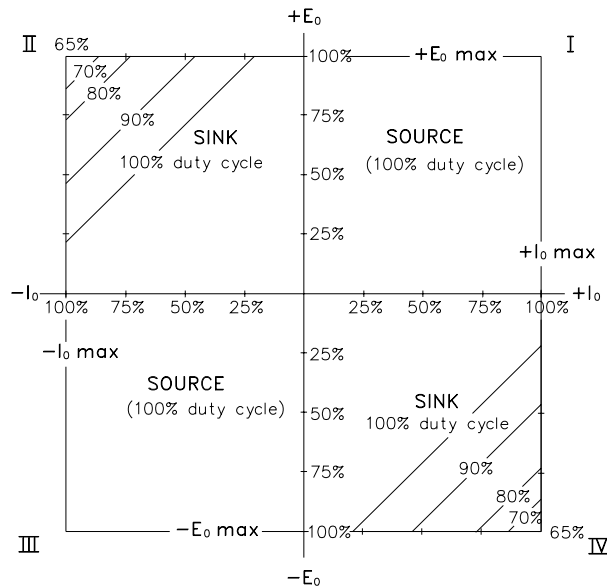
TABLE 1-3. DYNAMIC SPECIFICATIONS

DYNAMIC SPECIFICATIONS	VOLTAGE CHANNEL		CURRENT CHANNEL	
	BOP 500M	BOP 1000M	BOP 500M	BOP 1000M
Closed Loop Gain	50 V/V	100 V/V	8 mA/V	4 mA/V
Bandwidth [d-c to f-3 dB]	5.3 KHz	1.8 KHz	2.0 KHz	1.5 KHz
Programming Time Constant	30 μ sec.	88 μ sec.	80 μ sec	106 μ sec.
Large Signal Frequency Response	6 KHz	1.9 KHz	2.5 KHz	1.6 KHz
Slewing Rate	18V/ μ sec.	12V/ μ sec.	1.25 mA/ μ sec	0.4 mA/ μ sec.
Load Recovery Time Constant	25 μ sec.	75 μ sec.	25 μ sec.	50 μ sec.

1.5 MISCELLANEOUS FEATURES

- A) OUTPUT RANGE: The BOP can be locally (front panel) adjusted, or remotely programmed, from (-) 100% to (+)100% of its specified d-c voltage and current range. The Class A bipolar output stage permits operation as either a SOURCE OR A SINK. (See FIG. 1-2.)

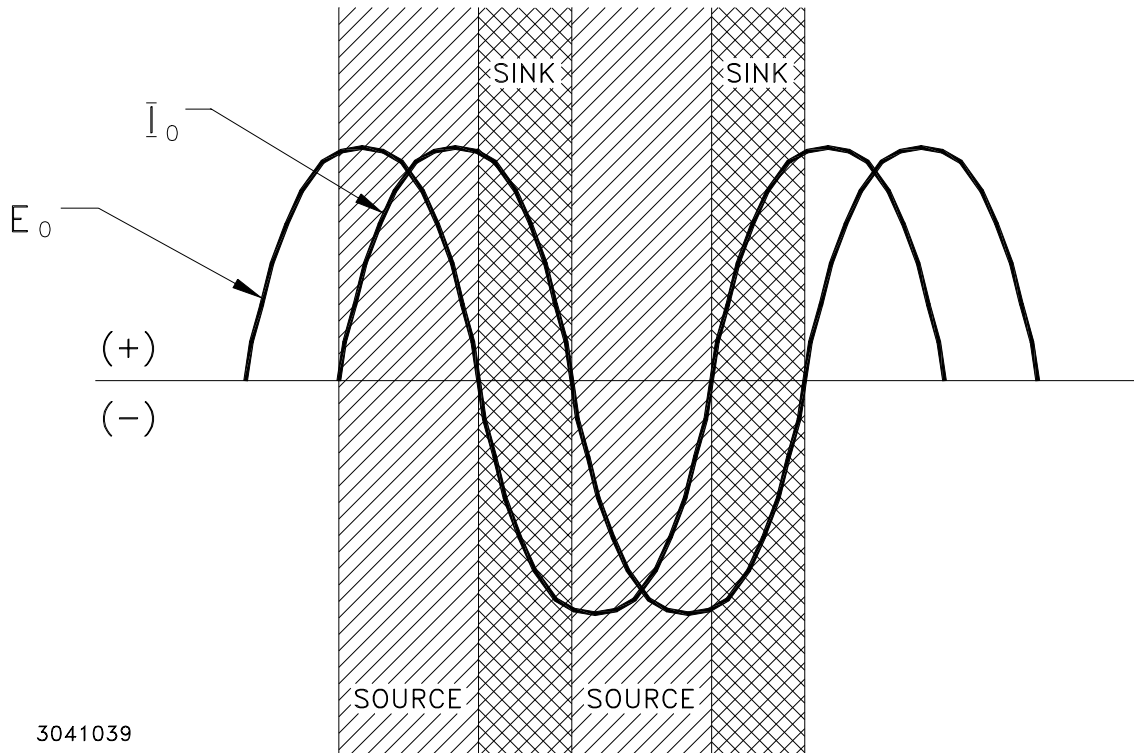
NOTE: Operation in the second and fourth quadrants of the graph shown in FIG 1-2 must be derated as indicated.



3041033

FIGURE 1-2. BOP OUTPUT CHARACTERISTIC

NOTE: The BOP is operating as a SOURCE if the direction of its output voltage is the same as the direction of its output current. The BOP is operating as a SINK if the direction of its output voltage is opposite that of its output current. An illustrative case is shown in FIG. 1-3, where the BOP is programmed to deliver a sine wave output and where the load produces a phase shift between the output voltage and current.



3041039

FIGURE 1-3. BOP OUTPUT WAVEFORM WITH PHASE SHIFT

- B) REFERENCES: Two reference/bias sources ($\pm 10V - 1 \text{ mA MAX.}$) are provided for control and biasing purposes. These reference sources are available at the rear programming connector (with reference to the "COMMON" terminal). Their specifications are tabulated in Table 1-2.
- C) OFFSET NULLING: Controls are provided to zero the initial offsets (E_{i0} , I_{i0}) of both the voltage and current control preamplifiers.
- D) LOAD REACTANCE: To realize the full high speed potential of the BOP, the load characteristics should be mainly resistive. Load capacitance and inductance up to $0.01\mu\text{F}$ and 0.5 mHy respectively can be tolerated without performance deterioration.

CAUTION: Stable operation into a purely inductive load in the Current Mode of operation requires a minimum series resistance of 25 ohms.

- E) SERIES OR PARALLEL OPERATION: Not recommended.

- F) VOLTAGE CONTROL CHANNEL (refer to Section 3 - FIG. 3-1). The BIPOLAR VOLTAGE AMPLIFIER, with a fixed gain of 50 (BOP 500M) or 100 (BOP 1000M) is connected, via the MODE switch, to the (unity gain) VOLTAGE PREAMPLIFIER. If the BIPOLAR VOLTAGE SWITCH is "on", the BOP output voltage can be locally controlled by means of the (front panel) (\pm) 10 volt bias source from (-) 100% (through zero) to (+) 100% of the rated value. The VOLTAGE PREAMPLIFIER is provided with a ZERO control and all its terminals are available at the rear programming connector for remote control of the output voltage. Control methods are described in Section 3 of this manual.
- G) MODE SWITCH: The BOP is equipped with a front panel mounted MODE SWITCH, which selects bipolar voltage or bipolar current control.
- H) CURRENT CONTROL CHANNEL (refer to Section 3 - FIG. 3-2) The BIPOLAR CURRENT AMPLIFIER, with fixed gain of 8 mA/V (BOP 500M) or 4 mA/V (BOP 1000M), is connected via the MODE switch to the (unity gain) CURRENT PREAMPLIFIER. If the BIPOLAR CURRENT SWITCH is "on", the BOP output current can be locally (front panel) controlled (by means of the \pm 10 volt bias source) from (-) 100% (through zero) to (+) 100% of the rated value. The CURRENT PREAMPLIFIER is provided with a ZERO control and all its terminals are available at the rear programming connector for remote control of the output current. Control methods are described in Section 3 of this manual.
- J) BOUNDING: (refer to Section 3 - FIG. 3-3 and 3-4). The BOP has four adjustable output voltage/current limiting circuits: (-) E_O LIMIT, (+) E_O LIMIT, (-) I_O LIMIT, (+) I_O LIMIT for overvoltage/overcurrent protection in either operating mode. All limiting circuits can be screwdriver adjusted by means of four front panel controls. In addition, all four limits can be remotely controlled by means of 0 to 10 volts d-c control voltages. The four limits may be programmed independently or the (\pm) voltage and (\pm) current limits can be controlled in pairs. The adjustable/programmable limit controls are backed-up by non-adjustable limit circuits which define the four boundaries [\pm E_O MAX. and (\pm) I_O MAX.] of the BOP, and provide protection against accidental overprogramming of the adjustable limits.
- K) MODE LIGHTS AND FLAG SIGNAL OUTPUT: Four (4) front panel (LED type) indicator lamps monitor the prevailing operating mode of the BOP. In addition, four (4) corresponding flag signal outputs are provided at the rear programming connector. For each operating condition (VOLTAGE MODE, CURRENT MODE, $\pm E_O$ LIMIT, $\pm I_O$ LIMIT) the corresponding indicator lamp lights up and the associated flag signal changes its state from (TTL) logic "1" to "0".

NOTE: If operating against back-up current limit (PAR. J) all 4 lights go out. The four lights also go out after the protection circuit has been energized.

- L) STANDARDS: BOP models are designed and tested in accordance with NEMA Standard for Stabilized Power Supplies, d-c output, Publication No. PY-1-1972.

1.6 MECHANICAL SPECIFICATIONS

- A) DIMENSIONS: See "Mechanical Outline Drawing," FIG. 1-4.
- B) FINISH: See "Mechanical Outline Drawing," FIG 1-4.
- C) FRONT PANEL METERS: M Suffix: 2-1/2 inches wide, recessed. Accuracy \pm 2% full scale. Two (2) "zero center" analog meters monitoring the \pm d-c voltage and the \pm d-c current are provided. DM suffix: Analog meters are replaced by digital panel meters, 3-1/2 digits. \pm 200mV full scale, power requirements: \pm 5V, \pm 5%.

1.7 ACCESSORIES

- A) MOUNTING FLANGES, for installation of the BOP into a standard (19-inch) equipment rack (refer to Section 2, FIG. 2-5). (A pair included with each BOP). Kepco Part No. 128-1282 (right), 128-1281 (left).
- B) REAR PROGRAMMING CONNECTOR, Kepco Model PC-9, 30-terminal printed circuit connector for all rear programming connections and flag signal outputs (One included with each BOP).

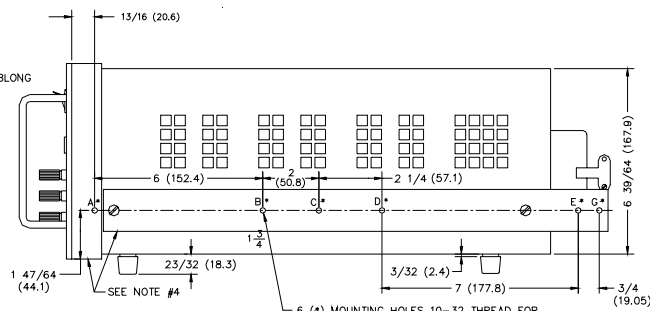
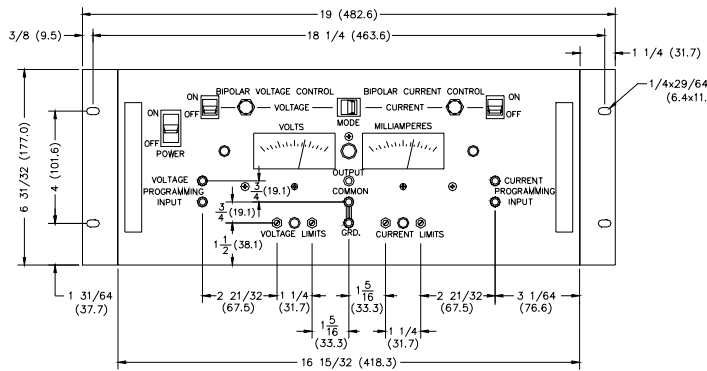
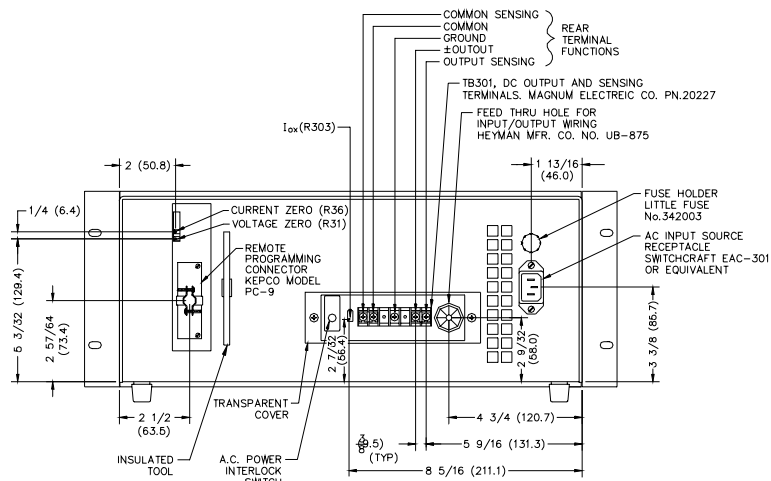
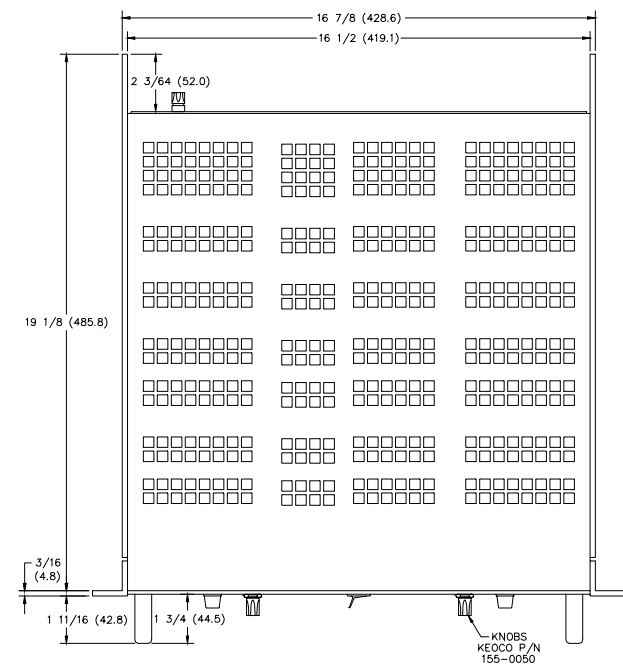
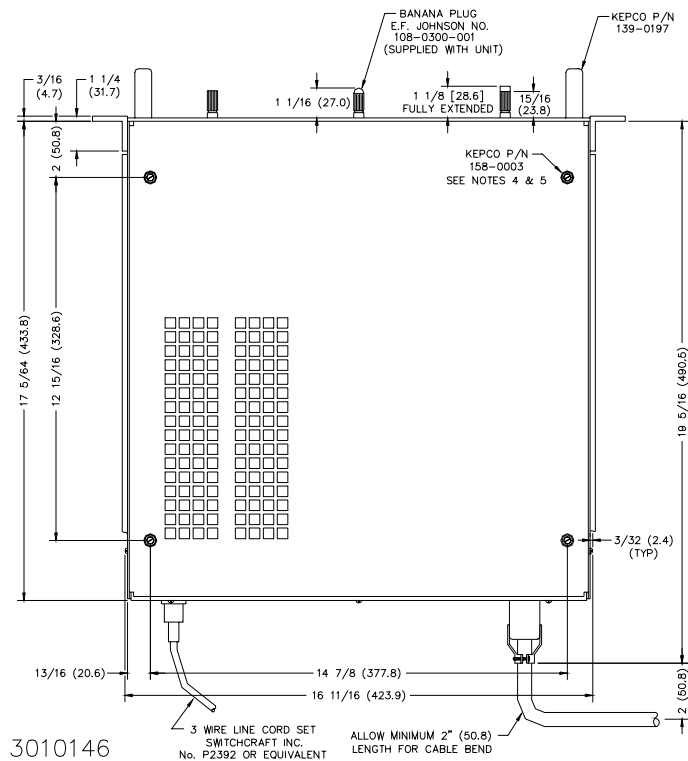


TABLE #1

SLIDE TYPE	MOUNTING TABLE					
	USE MOUNTING HOLES					
	A	B	C	D	E	G
110 QD-20-2			NOT USED		NOT USED	
110 QD-22-2		NOT USED		NOT USED	NOT USED	⊗
110 QD-24-2		NOT USED		NOT USED		NOT USED

⊗ "G" HOLE HAS TO BE ADDED TO SLIDES #110 QD-22-2, 0.199 DIA, 18" FROM "A" HOLE.



NOTES:

- THIS DRAWING IS USED FOR MODELS BOP 500M AND BOP 1000M.
- MATERIAL: A. CHASSIS: #14 GA. C.R.S.
B. FRONT PANEL: 1/8 THICK ALUMINUM.
C. COVER: #16 GA. C.R.S.
- FINISH: A. CHASSIS: CADMIUM PLATE WITH CHROMATE WASH.
B. FRONT PANEL: LIGHT GRAY PER FEDERAL STD. 595, COLOR #26440.
C. COVER: CHARCOAL GRAY VINYL TEXTURE.
- FIXED MOUNTING FLANGES AND CHASSIS SLIDE SUPPORT BRACKETS (BOTH SIDES) USED FOR RACK OR CABINET INSTALLATION CAN BE REMOVED FOR BENCH OPERATION.
- RACK OR CABINET MOUNTING: REMOVE (4) PLASTIC FEET.
- (4) PLASTIC MOUNTING INSERTS FOR 8-18 THREAD CUTTING SCREWS, 5/8 LONG (WITH 1/8 THICK MOUNTING PLATE).
- IF INSTALLATION WITHOUT SLIDES IS DESIRED, THE UNIT MUST BE SUPPORTED BY A RIGID PLATFORM OR BY FIXED BRACKET MOUNTED ON THE RACK. SLIDES AND RIGID PLATFORM NOT SUPPLIED.
- DIMENSIONS IN PARENTHESES ARE IN MILLIMETERS.
- TOLERANCES: A. BETWEEN MOUNTING HOLES: ±1/64 (0.4)
B. ALL FRONT PANEL DIMENSIONS TO MIL. STD 189.
C. ALL OTHER DIMENSIONS ±1/32 (0.8), EXCEPT AS NOTED.

FIGURE 1-4. MECHANICAL OUTLINE DRAWING, BOP - HV

3010146

SECTION 2 - INSTALLATION

2.1 UNPACKING AND INSPECTION

This instrument has been thoroughly inspected and tested prior to packing and is ready for operation. After carefully unpacking, inspect for shipping damage before attempting to operate. Perform the preliminary operation check as outlined in PAR. 2.5. If any indication of damage is found, file an immediate claim with the responsible transport service.

2.2 TERMINATIONS

- A) FRONT PANEL: Refer to FIG. 2-2A and Table 2-2.
- B) REAR: Refer to FIG. 2-2B and Table 2-2.
- C) INTERNAL CALIBRATION CONTROLS: Refer to FIG. 2-1 and Table 2-1.

TABLE 2-1. INTERNAL CALIBRATION CONTROLS

REFERENCE DESIGNATION	CONTROL	PURPOSE	ADJUSTMENT PROCEDURE
R18	(±) 10V CAL.	Reference Voltage Calibration	No Operator adjustment allowed. Refer to Service personnel.
R31	E _O ZERO	E _O Pre-amp Zero Adjustment	Section 3, Par. 3.3.1C
R36	I _O ZERO	I _O Pre-amp Zero Adjustment	Section 3, Par. 3.4.1
R303	I _O X	I _O Stabilization Compensation	No Operator adjustment allowed. Refer to Service personnel.

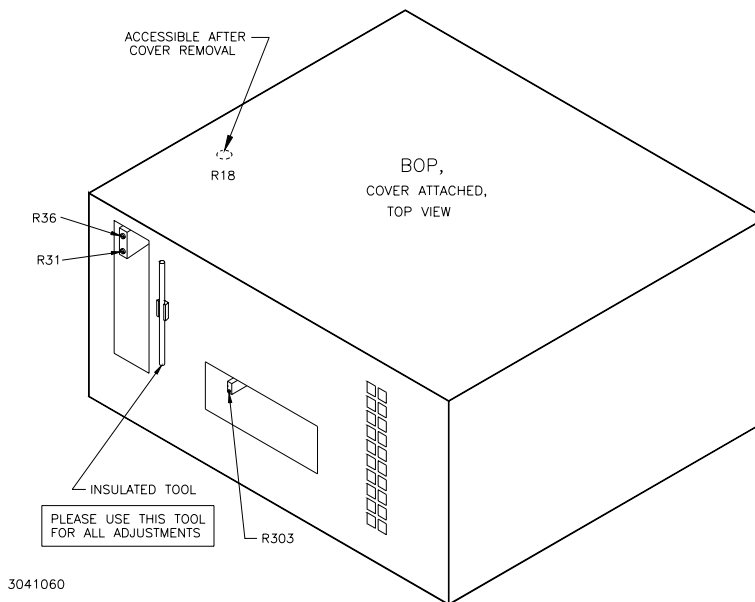
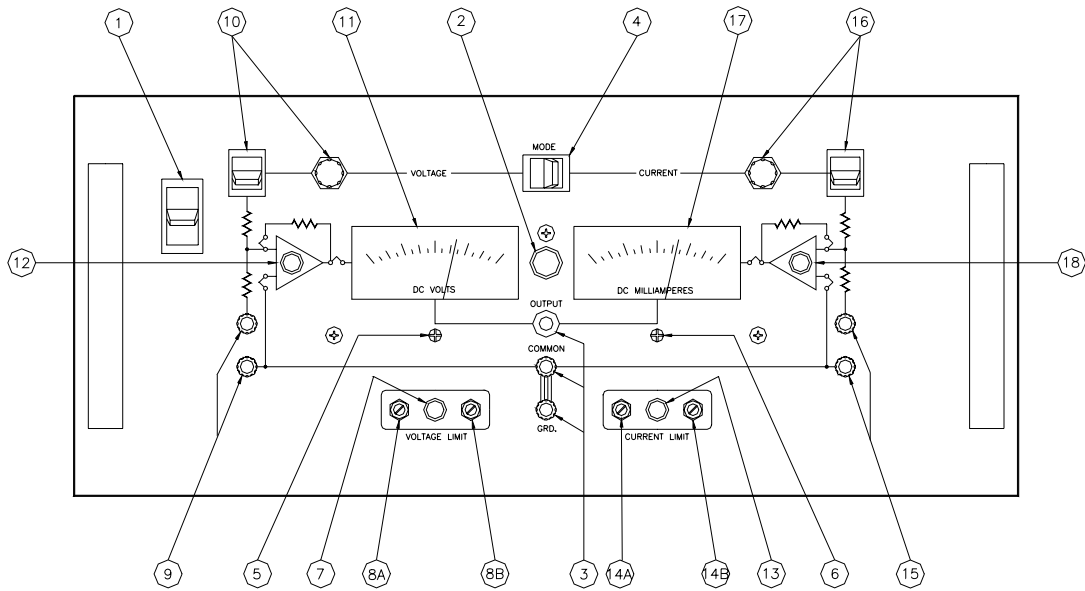
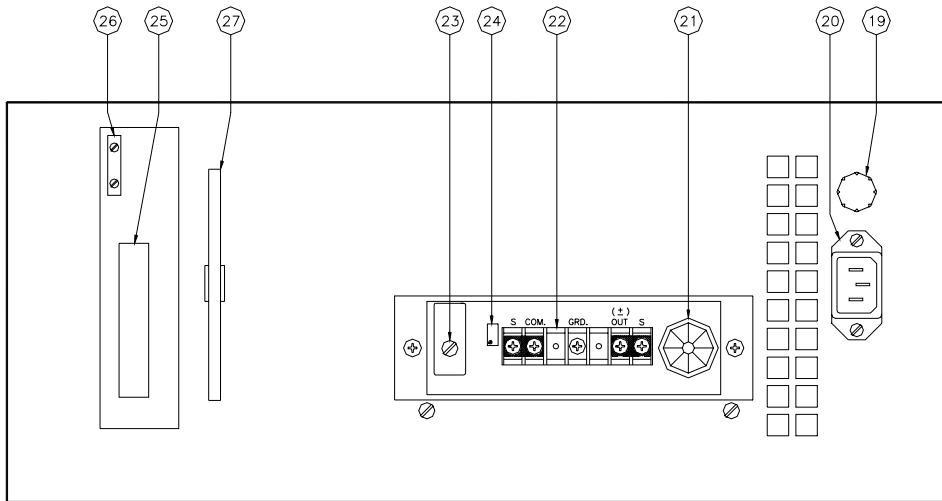


FIGURE 2-1. LOCATION OF INTERNAL CALIBRATION CONTROLS



A) BOP FRONT PANEL TERMINATIONS AND CONTROLS



B) BOP REAR TERMINATIONS AND CONTROLS

3041041

FIGURE 2-2. BOP TERMINATIONS AND CONTROLS

TABLE 2-2. BOP TERMINATIONS AND CONTROLS

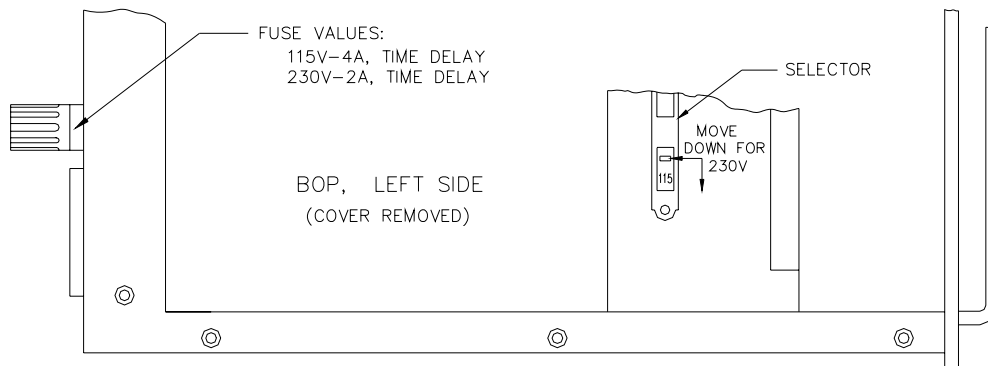
NO.	NAME OF FUNCTION	FUNCTION
NOTE: NUMBERS CORRESPOND TO THOSE SHOWN IN FIGURE 2-2		
1	A-C POWER	A-C input Power Switch and Indicator Lamp
2	OUTPUT	Output "READY" lamp energized when a-c power is turned on. If lamp goes off when a-c power is applied, the internal protection circuit disables the output and front panel controls. To restore full operation it is necessary to turn the power supply OFF and then ON again after a few seconds.
3	± OUTPUT, COMMON, GROUND	Output and grounding terminals (parallel with rear barrier strip terminals)
4	MODE	Operating mode selector switch for "VOLTAGE" OR "CURRENT" mode
5		Mechanical voltmeter zero adjustment
6		Mechanical ammeter zero adjustment
7	VOLTAGE LIMIT	LED lamp, indicating voltage limiting operation
8	± VOLTAGE LIMIT	Controls for manual adjustment of the (±) voltage limits <u>BOP 500M</u> <u>BOP 1000M</u> A = 500V TO 0 -1000V TO 0 B = 0 TO +500V 0 TO +1000V
9	E _O INPUT	Programming input terminals for voltage pre-amp
10	BIPOLAR VOLTAGE CONTROL	"ON-OFF" switch and voltage control for manual adjustment of the BOP d-c output voltage (with switch "ON")
11	E _O METER	d-c output voltmeter (reads also average a-c signals)
12	E _O MODE	LED lamp, indicating voltage mode operation
13	CURRENT LIMIT	LED lamp, indicating current limiting operation
14	± CURRENT LIMIT	Controls for manual adjustment of the (±) current limits <u>BOP 500M</u> <u>BOP 1000M</u> A = -80mA to 0 -40mA to 0 B = 0 to +80mA 0 to +40mA
15	I _O INPUT	Programming input terminals for current pre-amp
16	BIPOLAR CURRENT CONTROL	"ON-OFF" switch and current control for manual adjustment of the BOP d-c output current (with switch "ON")
17	I _O METER	d-c output ammeter (reads also average a-c signals)
18	I _O MODE	LED lamp, indicating current mode operation
19	FUSE	a-c power fuse. Protects primary a-c input circuit
20		a-c power input jack. Accepts 3-wire line cord (supplied)
21		Cable holder, accepts output, sensing and ground wires for feed-through from terminals through safety cover
22	REAR TERMINALS	Rear barrier strip with output, sensing and ground terminals
23	INTERLOCK	Shuts off BOP if safety cover is removed. Can be defeated by a forward pull
24	INT. I _O X CONTROL	R303, compensation adjustment. See Section 5.
25	REAR CONNECTOR	Access to internal circuitry for programming connections
26	INT. CONTROLS	R31, R36, Current and voltage pre-amp zero controls
27	INSULATED TOOL	Use this tool for all internal adjustments

2.3 A-C POWER INPUT REQUIREMENTS

The BOP is equipped with a SOURCE VOLTAGE SELECTOR permitting the user to choose between 115 and 230V a-c operation by means of a screwdriver actuated switch; the switch is accessed by removing the cover.

Remove the wrap-around cover by unscrewing the 18 black oxide screws: two screws on the top, six screws (2) attaching the mounting flanges, eight screws (3) from the side, and two screws from the chassis slide support brackets. Do not remove the nickel screws in the chassis slide support brackets, only remove black oxide screw (4) from each chassis slide support bracket.

The switch location is illustrated in FIG. 2-3. When changing the a-c input voltage, the A-C POWER FUSE must be altered as well, according to the information given in FIG.2-3.



3041067

FIGURE 2-3. A-C SOURCE VOLTAGE SELECTOR, LOCATION

2.4 COOLING

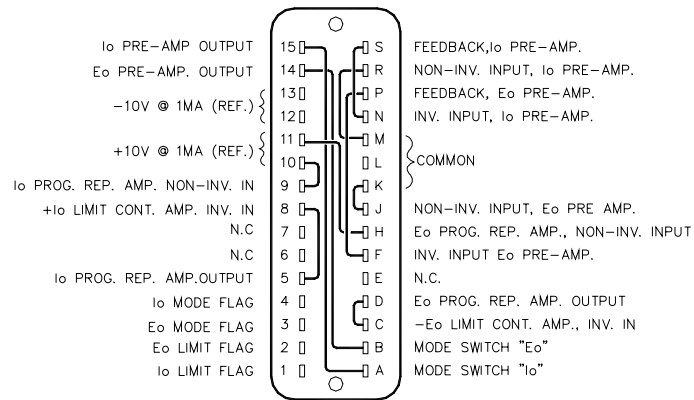
The components in the BOP power supply rely on forced air (towards rear panel) cooling for maintaining their operating temperature. **ALL OPENINGS MUST BE KEPT CLEAR FROM ALL OBSTRUCTIONS TO ENSURE PROPER AIR CIRCULATION.** Periodic cleansing of the interior of the power supply is recommended. If the BOP is rack-mounted or installed in confined spaces, care must be taken that the ambient temperature (the temperature immediately surrounding the power supply) does not rise above 65°C (149°F).

2.5 PRELIMINARY CHECKOUT

A simple operating check after unpacking and before permanent installation, is advisable to ascertain whether the BOP has suffered damage in shipment. Refer to FIG. 2-2 and Table 2-2. FOR THE LOCATION AND DESIGNATION OF THE OPERATION CONTROLS AND TERMINALS. Proceed as follows:

- A) Connect the BOP to a 115V a-c source, or refer to PAR. 2.3 for conversion to 230V a-c operation if required.

NOTE: THE REAR PROGRAMMING CONNECTOR MUST BE ATTACHED TO THE BOP AND MUST BE WIRED AS SHOWN ON FIG 2-4.



REAR PROGRAMMING CONNECTOR

3043552

NOTE: JUMPERS SHOWN ARE FOR STANDARD (FRONT PANEL CONTROL) OPERATION.

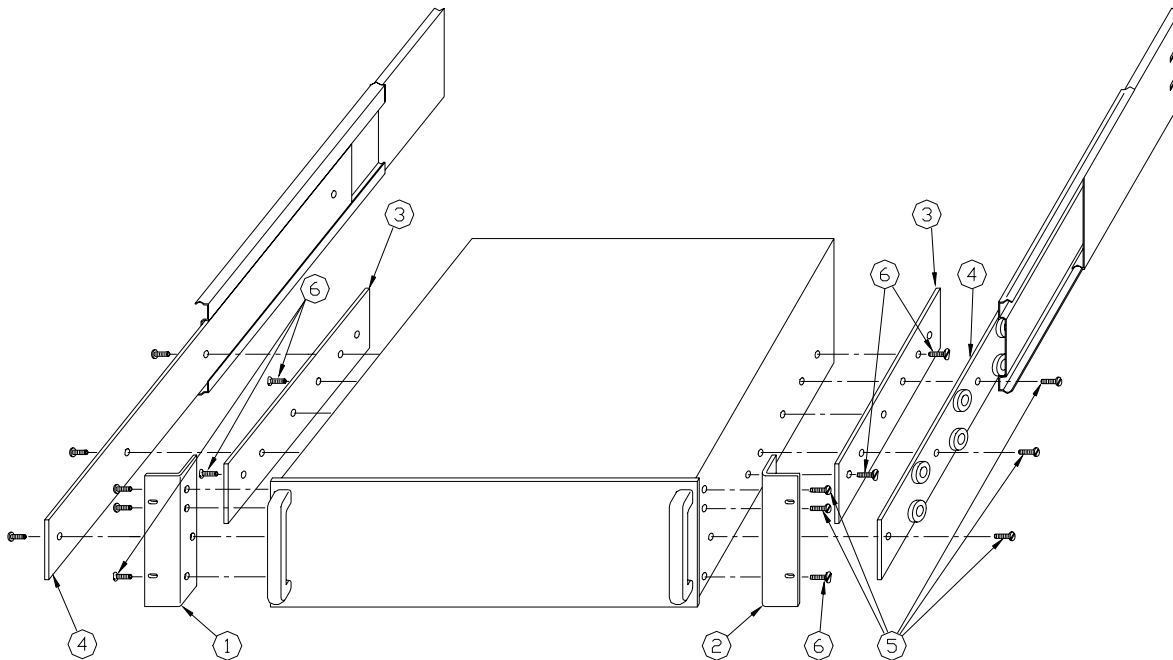
FIGURE 2-4. REAR PROGRAMMING CONNECTOR WIRED FOR FRONT PANEL OPERATION

- B) Note: The rear sensing links must be attached to the rear terminals of the BOP as shown in FIG. 2-2 and the rear connector must be attached and secured.
- C) Set the BOP front panel controls as follows (refer to FIG. 2-2). The controls will be identified here and in the following manual text with the nomenclature used in Table 2-2 and identifying numbers used in FIG. 2-2):
 - 1) MODE switch (4), set to "VOLTAGE".
 - 2) BIPOLAR VOLTAGE CONTROL (10), set switch to "ON", control to its extreme counterclockwise position.
 - 3) A-C POWER switch to "ON".
- D) The indicator lamp, part of the A-C POWER switch (1) will be "ON". The "OUTPUT READY" lamp (2) AND "E_O MODE" lamp (12) will also be "ON".
- E) Turn the BIPOLAR VOLTAGE CONTROL (10) clockwise through its range, while observing the front panel "E_O METER" (11). The BOP output voltage should smoothly follow from the maximum negative output voltage, over zero, to the maximum positive output voltage of the BOP. Turn A-C POWER SWITCH (1) "OFF".
- F) Connect a short-circuit between the (±) OUTPUT and the COMMON front panel output terminals (3). Set the BOP front panel controls as follows:
 - 1) MODE SWITCH (4), set to "CURRENT".
 - 2) BIPOLAR CURRENT CONTROL (16), set switch to "ON", control to its maximum counterclockwise position.
 - 3) A-C POWER switch "ON".
- G) The indicator lamp, part of the A-C POWER switch (1) will be "ON", the "OUTPUT READY" LAMP (2) and the "I_O MODE" lamp (18) will be "ON".

- H) Turn on BIPOLAR CURRENT CONTROL (16) clockwise through its range, while observing the front panel "I_o METER" (17). The BOP output current should smoothly follow from the maximum negative output current, over zero, to the maximum positive output current of the BOP. Turn A-C POWER switch (1) "OFF". Remove the short circuit from the output terminals. THIS CONCLUDES THE PRELIMINARY CHECK-OUT OF THE BOP.

2.6 INSTALLATION (Refer to FIG. 2-5)

The BOP is delivered with mounted SLIDE SUPPORT BRACKETS and MOUNTING FLANGES and ready for installation into any standard (19-inch) instrument rack. Please refer to PAR 2.4 (COOLING) if the BOP is to be mounted into a multiple rack installation.



RACK MOUNTING ACCESSORIES PART LIST

ITEM	DESCRIPTION	QTY
1	MOUNTING FLANGE LEFT	1
2	MOUNTING FLANGE RIGHT	1
3	SLIDE SUPPORT BRACKET	2
4	SLIDES: 110 QD JONATHAN SERIES	2
5	10-32 SCR. BDG. HD.	10
6	10-32 SCR. FLAT HD. 82"	6

NOTES: ITEM (4) NOT SUPPLIED

INSTRUCTIONS FOR SLIDE INSTALLATION

- ITEMS 1,2,3 ARE INSTALLED AT THE FACTORY.
- ITEM 3 (SLIDE SUPPORT BRACKET) IS PRE-DRILLED AND TAPPED FOR JONATHAN SLIDES, SERIES 110 QD. REMOVE THE THREE BINDING HEAD SCREWS ON EACH SIDE OF ITEM 3. (THESE SCREWS ARE PART OF ITEM 5.)
- LINE UP SLIDE WITH ITEM 3 AND RE-INSERT THE BINDING HEAD SCREWS THROUGH THE APPROPRIATE MOUNTING HOLES IN THE SLIDE.
- IF JONATHAN SLIDE 110 QD-24-1 IS USED, AN ADDITIONAL HOLE MUST BE DRILLED INTO THE SLIDE. SEE FIG. 1-3 FOR FURTHER INFORMATION.

NOTE:

IF SLIDE INSTALLATION (AS DESCRIBED ABOVE) IS NOT DESIRED, OTHER MEANS OF SUPPORTING THE UNIT IN THE REAR MUST BE PROVIDED (ADDITIONAL REAR BRACKETS OR SOLID PLATFORM, FOR EXAMPLE) SINCE THE FRONT MOUNTING FLANGES (ITEMS 1,2) ALONE ARE NOT SUFFICIENT TO SUPPORT THE FULL WEIGHT OF THE UNIT.

3041070

FIGURE 2-5. RACK INSTALLATION OF THE BOP

SECTION 3 - OPERATION

3.1 INTRODUCTION

BOP BIPOLAR OPERATIONAL POWER SUPPLIES can be used in a great variety of applications. As a PRECISION VOLTAGE or CURRENT SOURCE, the BOP output can be controlled locally (by means of the front panel BIPOLAR voltage and current controls) or remotely (by means of resistances or by voltage signals). Independently adjustable (or remotely programmable) limit circuits for both output voltage and output current protect a sensitive load from any overvoltage or overcurrent. As a BIPOLAR AMPLIFIER, the BOP output responds to such input signals as sine, square or triangular waves. A (\pm) 10 volt input signal will program the BOP output (voltage or current) through its rated output ranges. Built-in preamplifiers, for the voltage, as well as the current channel of the BOP, permit amplification of the control signals to the required amplitude and the interface with high as well as low impedance signal sources.

Detailed examples of the more popular applications are described in the following paragraphs. Before actual operation, however, the following general comments on the operation of the BOP should be carefully considered:

WARNING

- 1) THIS EQUIPMENT IS CAPABLE OF PRODUCING LETHAL VOLTAGES. Exercise extreme care in making all connections to and from the BOP terminals. REMOVE A-C POWER FROM THE BOP BEFORE MAKING ANY CONNECTIONS!
- 2) An interlock device removes the A-C source power from the BOP if the rear terminal cover plate is lifted. DO NOT BYPASS THE INTERLOCK.
- 3) Wires and/or cables, connected from the BOP terminals to external components or programming devices must be properly insulated and securely terminated on both sides to avoid accidental contact. A feed-through hole is provided on the BOP rear terminal cover, to bring the wires from the BOP rear terminals to the outside. DO NOT USE BANANA PLUGS WITH EXPOSED SCREWS OR OTHER EXPOSED METAL PARTS AT THE FRONT PANEL OUTPUT TERMINALS!
- 4) The BOP chassis and cover must be safety-grounded to a reliable a-c source ground. A safety ground may be established by using a grounded a-c power outlet or, if the latter is not available, by means of a separate wire, from a provided "ground" terminal to a reliable a-c source ground point.
- 5) THE COMMON OUTPUT TERMINAL OF THE BOP SHOULD BE SIGNAL GROUNDED. If for any reason, grounding of the output is not possible, additional precautions must be taken to make any access to the isolated output impossible.
- 6) FOR ALL CONTROL ADJUSTMENTS ON THE BOP, USE ONLY THE INSULATED TOOL WHICH IS ATTACHED AT THE REAR. (See Section 2, FIG. 2-2).

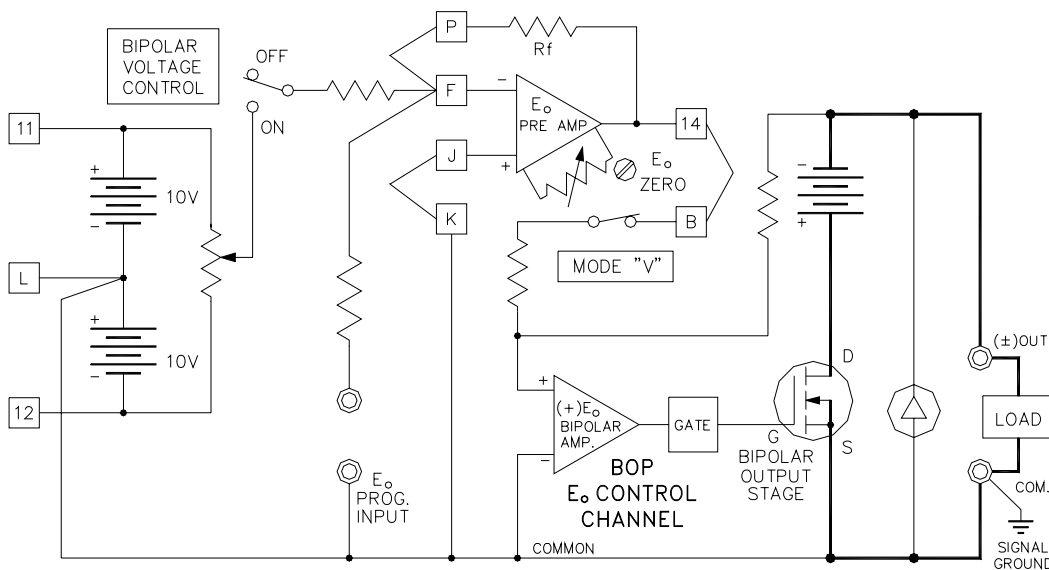
A) DIAGRAMS. Application and test set-up diagrams on the following pages show the symbolic and simplified representation of the BOP circuitry in four (4) separate diagrams, as indicated on FIGS. 3-1 through 3-4. The diagrams represent the four programmable circuits of the BOP.

- 1) Voltage Control Channel (FIG 3-1)
- 2) Current Control Channel (FIG 3-2)
- 3) (\pm) E_o Limit Circuits (FIG 3-3)
- 4) (\pm) I_o Limit Circuits (FIG 3-4)

The complete simplified diagram is represented at the beginning of Section 4 (see FIG. 4-1). THE FOUR CIRCUITS CAN BE PROGRAMMED SEPARATELY AS DESCRIBED IN THE EXAMPLES IN THIS SECTION, OR THEY CAN BE USED SIMULTANEOUSLY AS AN APPLICATION REQUIRES, WITH THE EXCEPTION OF THE TWO (2) MAIN BIPOLAR VOLTAGE AND CURRENT CHANNELS WHICH ARE SELECTED BY THE FRONT PANEL MODE SWITCH AND CANNOT BE OPERATED SIMULTANEOUSLY.

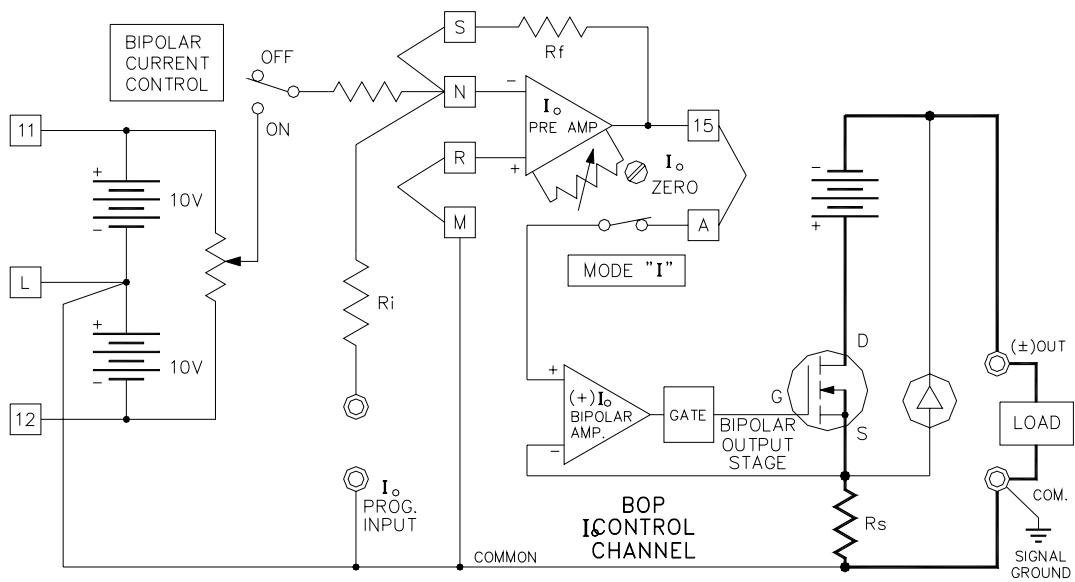
The numbered terminals in the diagrams correspond to the connector terminals on the REAR PROGRAMMING CONNECTOR.

NOTE: BOP's have front and rear output terminals. Only the front terminals are shown on all subsequent simplified diagrams.



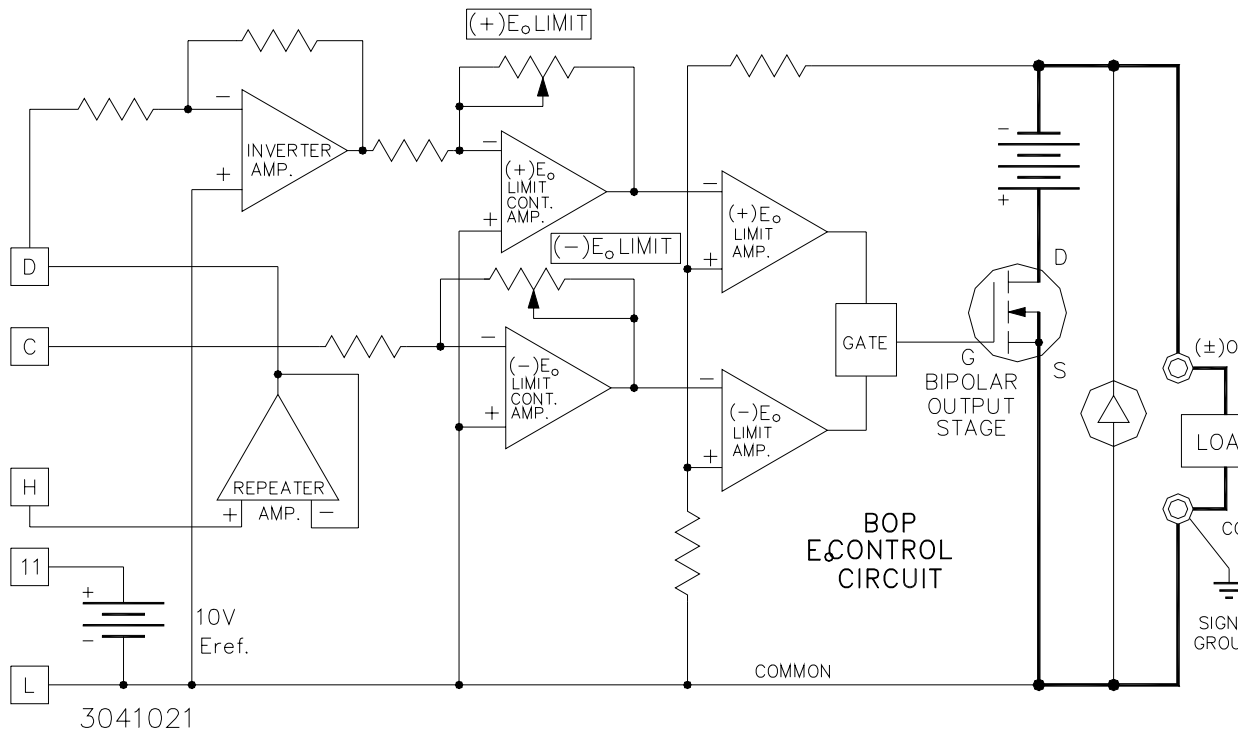
3041019

FIGURE 3-1. BOP VOLTAGE CONTROL CHANNEL



3041020

FIGURE 3-2. BOP CURRENT CONTROL CHANNEL



3041021

FIGURE 3-3. BOP (±) VOLTAGE LIMITING CIRCUIT

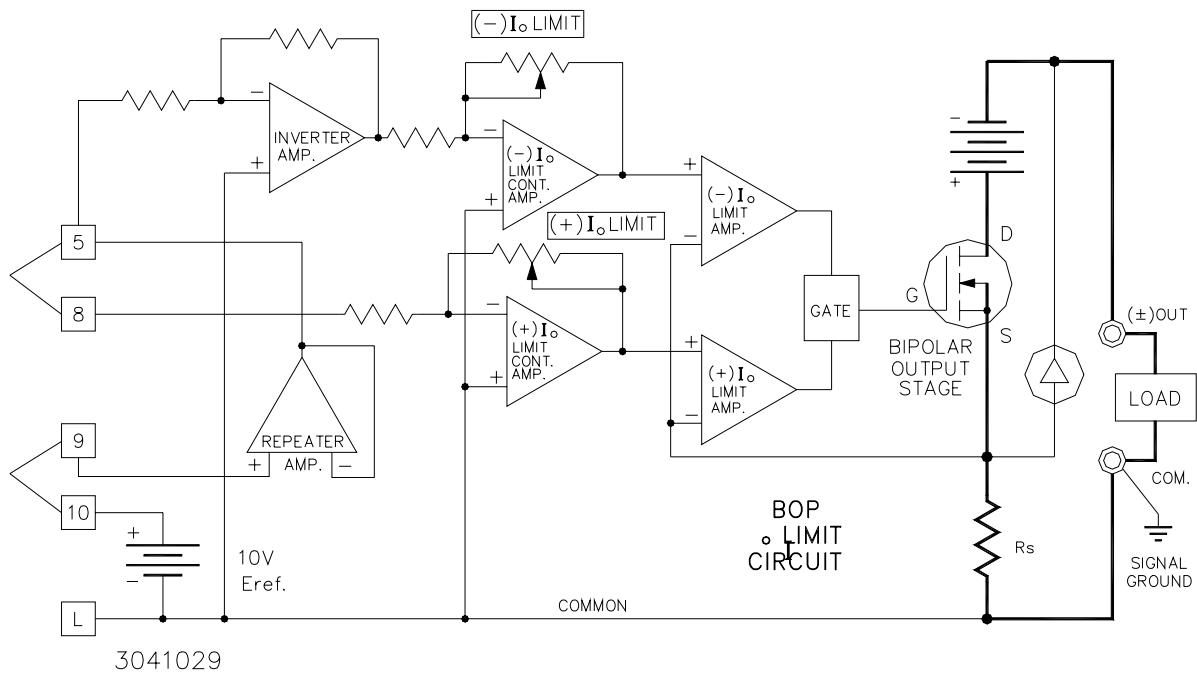


FIGURE 3-4. BOP (±) CURRENT LIMITING CIRCUIT

B) **LOAD CONNECTION (I):** The basic interconnection between the BOP and the load are shown in FIG. 3-5. The load wire size for the 2-wire connection shown should be as large as practicable to keep the series resistance and inductance low. In addition, the load wire pair should be tightly twisted, to reduce possible “pick-up” from stray magnetic fields. The basic 2-wire connection is useful where the voltage drop in the load wires is of minor consequence, as for example, operation into a constant load or in a constant current operating mode.

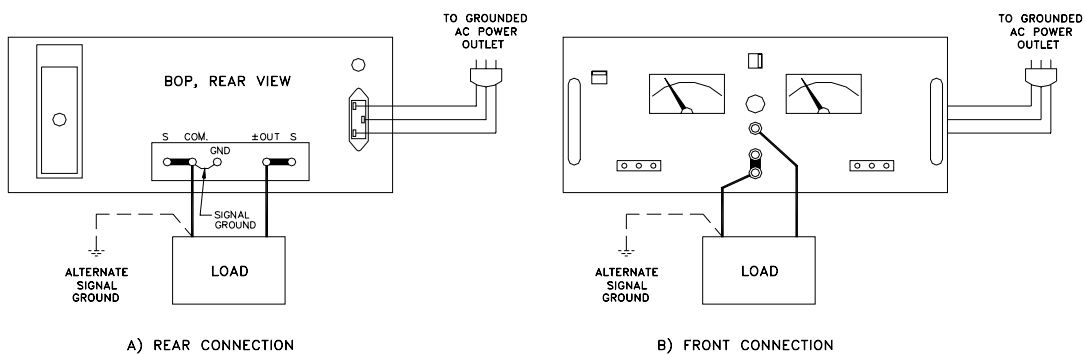


FIGURE 3-5. BASIC 2-WIRE LOAD CONNECTION AND GROUNDING CONNECTIONS BETWEEN THE BOP AND THE LOAD

- C) **LOAD CONNECTION (II).** The recommended load connection for all applications requiring minimum load effect across a remote load is shown in FIG. 3-6. A twisted, shielded pair of wires (AWG No. 20 minimum) is connected from the BOP sensing terminals to the load. This “remote error sensing” technique will compensate for load wire voltage drops up to 0.5 volts per wire.

NOTE: OBSERVE POLARITIES: THE COMMON SENSING WIRES MUST GO TO THE COMMON LOAD WIRE. THE (±) OUTPUT SENSING WIRE MUST GO TO THE (±) OUTPUT LOAD WIRE.

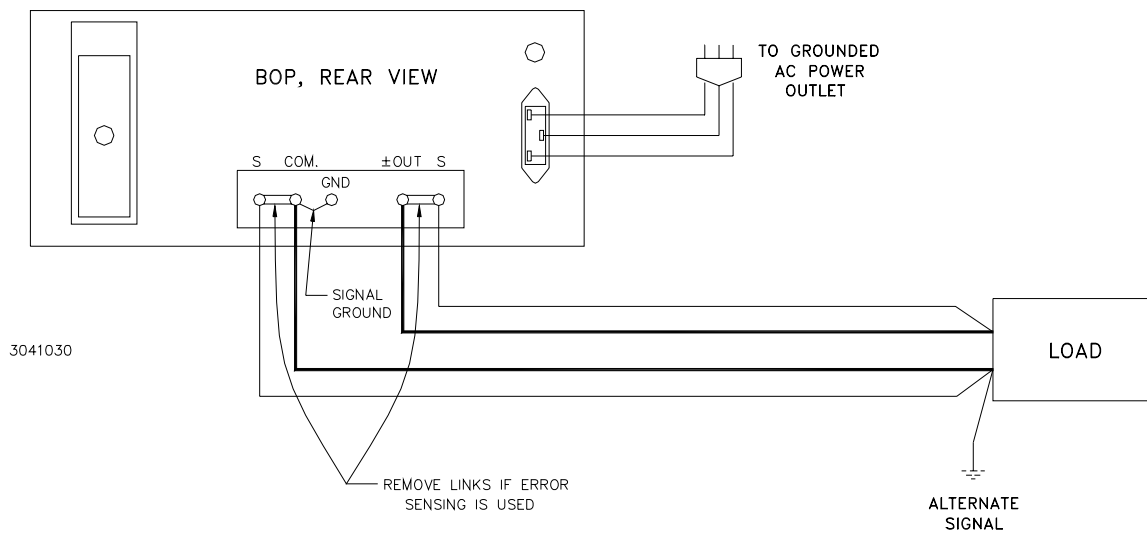


FIGURE 3-6. LOAD CONNECTION WITH ERROR SENSING AND GROUNDING CONNECTIONS BETWEEN THE BOP AND THE LOAD

WARNING

- D) **A-C SAFETY GROUND.** (Refer to FIG's 3-5, 3-6). The dangerous voltages present in this equipment make it imperative that the case be kept at ground potential at all times. It is sufficient to use a 3-wire line cord with 3-prong safety plug (supplied with this equipment) in combination with a properly grounded outlet. If an adapter for a non-grounded outlet is used, however, the case must be grounded separately. A separate “GROUND” terminal is provided for this purpose on the rear of the BOP. (See Section 2, FIG. 2-2).
- E) **DC (SIGNAL) GROUND.** (Refer to FIG.'s 3-5, 3-6). Specified ripple and noise figures for operational power supplies are valid only with the common side of the output/load circuit returned to a common ground point (refer to Section 1, Table 1-2). The common side of the BOP output is shown grounded in FIG's 3-5 and 3-6, since it is “common” to both internal reference source and any external signal source. If the application requires, the “common” side of the BOP may be floated up to 500V d-c off ground. In this case, however, the common mode current (specified in Section 1, PAR. 1.3E), will flow through the impedance of whatever circuit is placed between common and ground and will give rise to a common mode voltage. The signal ground point in the BOP/load circuit must consist of a single point

only, to which all input source grounds, shields and load grounds are connected. Multiple signal grounds in the BOP output/load circuit may cause “ground loop” problems, since noise signals develop across the impedance between the multiple ground points. The exact physical location of the “best” single ground must be carefully selected for minimum ripple/noise output.

F) EXTERNAL PROGRAMMING RESISTORS. External programming resistors should be components with low-temperature coefficients. Resistors should be selected carefully, since in most applications, the limitations for stability and drift are due, not to the BOP, but to the programming resistors. Selection criteria for resistors are:

- 1) TEMPERATURE COEFFICIENT
- 2) LEAKAGE (IN VALUES ABOVE 100k OHM)
- 3) HUMIDITY EFFECTS
- 4) DRIFT WITH TIME
- 5) SELF-HEATING (POWER DISSIPATION)
- 6) TOLERANCE

G) For variable resistors (potentiometers or rheostats) similar selection criteria apply. In addition such specifications as listed below should be carefully considered if the application requires:

- 1) END RESISTANCE
- 2) LINEARITY
- 3) CAPACITIVE AND INDUCTIVE EFFECTS

H) ACTIVE PROGRAMMING SOURCES. External programming sources (Signal Generators, etc.) or reference sources should have temperature coefficients and drift specifications comparable to (or better than) the BOP Power Supply.

CAUTION: A-C source operated programming sources must have their output isolated from the case.

J) EXTERNAL LEADS. Shielded (preferably twisted) lead pairs are recommended for all input connections to the BOP control channels. The shield should be connected (single-ended) to the chosen signal ground point. Shielded leads should be held as short as practicable. Output leads must be “high-voltage” wire, rated at least for the maximum BOP output voltage and current.

K) BEFORE USING THE BOP IN ANY APPLICATION...PLEASE REFER TO SECTION 2 TO GET ACQUAINTED WITH THE OPERATING CONTROLS AND THE A-C POWER REQUIREMENTS. REFER TO THIS SECTION (SECTION 3) FOR INFORMATION ON LOAD CONNECTIONS AND GROUNDING. READ THE “WARNING” NOTES PRIOR TO PAR. 3.1A.

3.2 BOP OPERATION WITH LOCAL (FRONT PANEL) OUTPUT CONTROL

3.2.1 VOLTAGE MODE OPERATION WITH CURRENT LIMITING

The BOP may be used as a stabilized (d-c) source of positive or negative voltage with output current limiting for either polarity pre-selected for the application at hand.

- 1) Determine the output current and voltage requirement of your load. Set the BOP MODE SWITCH to the VOLTAGE position and the BIPOLAR VOLTAGE CONTROL switch to ON.
- 2) With the BOP A-C POWER switch "OFF," connect a short-circuit across the output terminals. Turn the BOP "ON."
- 3) The CURRENT LIMIT LAMP will be on. Adjust the (\pm) CURRENT LIMIT CONTROLS for both polarities as required, monitoring the I_O METER for the correct limiting values. Proceed as follows: Turn BIPOLAR VOLTAGE CONTROL fully counterclockwise. Adjust the "(-) I_O LIMIT CONTROL". Turn BIPOLAR VOLTAGE CONTROL fully clockwise. Adjust the "(+) I_O LIMIT CONTROL. Turn A-C POWER switch "OFF" and remove the short-circuit from the output. If the application is unipolar, choose "zero" limit for the undesired polarity.
- 4) Without a load connected to the power supply, set BOP A-C POWER switch to "ON." Change the BIPOLAR VOLTAGE CONTROL setting until the front panel voltmeter shows the limit voltage values desired; adjust the corresponding (\pm) VOLTAGE LIMIT CONTROL until the VOLTAGE LIMIT LAMP is ON. Repeat the same procedure for the other polarity. If the application is unipolar, choose "zero" limit for the undesired polarity.
- 5) Go back to the BIPOLAR VOLTAGE CONTROL and adjust for zero output voltage.
- 6) Set the BOP A-C POWER switch to "OFF" and connect the load.
- 7) Turn the A-C POWER switch "ON" again; adjust the operating voltage by means of the BIPOLAR VOLTAGE CONTROL to the value required.

NOTE: If the output current exceeds the pre-adjusted value at any time, the E_O MODE LIGHT will go OFF and the CURRENT LIMIT LIGHT will go on. After the cause of the overcurrent is eliminated, the indicator lights will return to their initial status. If the limit voltage was reached during adjustment, the E_O MODE LIGHT will go OFF and the VOLTAGE LIMIT LIGHT will go ON. The output voltage will be clamped to the limit value. Should the output voltage be decreased via the BIPOLAR OUTPUT VOLTAGE CONTROL, the unit will return to the voltage mode of operation and the lights will be reset to the initial status.

3.2.2 CURRENT MODE OPERATION WITH VOLTAGE LIMITING

The BOP may be used as a stabilized d-c source of positive or negative current, with output voltage limiting for either polarity, pre-selected for the application at hand.

NOTE: Please refer to paragraph 3.1K.

- 1) Turn the A-C POWER switch "ON" and adjust the (\pm) VOLTAGE LIMIT CONTROLS to the required output (compliance) voltage as described in PAR. 3.2.1, step 4. Turn the A-C POWER switch "OFF".
- 2) Adjust the (\pm) CURRENT LIMIT CONTROLS according to PAR. 3.2.1, steps 1-3.

- 3) Turn the A-C POWER switch "OFF" and set the BOP MODE switch to the CURRENT position and the BIPOLAR CURRENT CONTROL switch to "ON." Reinstall the short-circuit across the output terminals.
- 4) Turn the A-C POWER switch "ON" and adjust the BIPOLAR CURRENT CONTROL to zero output current.
- 5) Turn the A-C POWER switch "OFF," disconnect the short-circuit, and connect the load.
- 6) Turn A-C POWER switch "ON" again and adjust the required operating current by means of the BIPOLAR CURRENT CONTROL as required.

NOTE: If the output current or output voltage exceeds the programmed limit values at any time, the I_O MODE light will go OFF and the corresponding "limit light" (CURRENT LIMIT LIGHT for current limit or VOLTAGE LIMIT LIGHT for voltage limit) will go ON. By removing the limit condition – decreasing the output current for current limit or decreasing the value of the load for voltage limit, the unit will return to the current mode of operation and the lights will be reset to the initial status.

3.3 BOP OPERATION WITH REMOTE CONTROL OF THE VOLTAGE CONTROL CHANNEL

As described in a previous paragraph (PAR. 3.2.1) the BOP d-c output potential can be controlled within its specified range by means of the BIPOLAR VOLTAGE CONTROL, with the BIPOLAR VOLTAGE CONTROL SWITCH in the ON position. Since the E_O PRE-AMP, with the built-in feedback and input resistors, has a gain of one, and the E_O BIPOLAR AMPS have respective gains of 50 (BOP 500M) and 100 (BOP 1000M), a d-c input signal of zero to (±)10V will control the BOP output through its specified range. In the local (front panel) control mode, the d-c control potential is applied via the BIPOLAR VOLTAGE CONTROL.

3.3.1 REMOTE D-C OUTPUT VOLTAGE CONTROL BY RESISTANCE

- A) As shown in FIG. 3-7, this control method can be performed remotely by setting the BIPOLAR VOLTAGE CONTROL SWITCH to the OFF position and by connecting a 10K ohm external resistor and a 20K ohm external potentiometer as shown in Figure 3-7.

By adjusting the remote external potentiometer, the BOP unit will receive an input voltage signal ranging from -10 to +10 Volts that corresponds to a generated output voltage ranging from -E_{Omax} to +E_{Omax}.

- B) Two terminal resistance control of the d-c output voltage (for example, by means of a Decade Box) can be exercised as shown in FIG. 3-8.

The external switch (S1), connected across the (±) reference voltage is used to pre-select either positive or negative output, by setting it to the applicable reference voltage polarity.

The E_O PRE-AMP functions here as an inverter. Its output can be expressed by the equation:

$$E_{O(PRE-AMP)} = -E_{REF} \left(\frac{R_f}{R_i} \right)$$

R_f = External Decade Resistor
 R_i = External Input Resistor

Since E_{ref} is either (+) or (-) 10 volts (depending on the position of S1) and the gain ratio R_f/R_i is variable from zero to one, the output voltage (E_o PRE-AMP) will be inverted and vary linearly (from (-) 10 volts, through zero, to (+)10 volts) with the change in the decade resistance (R_f). As a consequence, the BOP output voltage will also vary linearly with the change in decade resistance. Inversion provided by the final output stage means that the BOP output voltage will be the same polarity as E_{ref} .

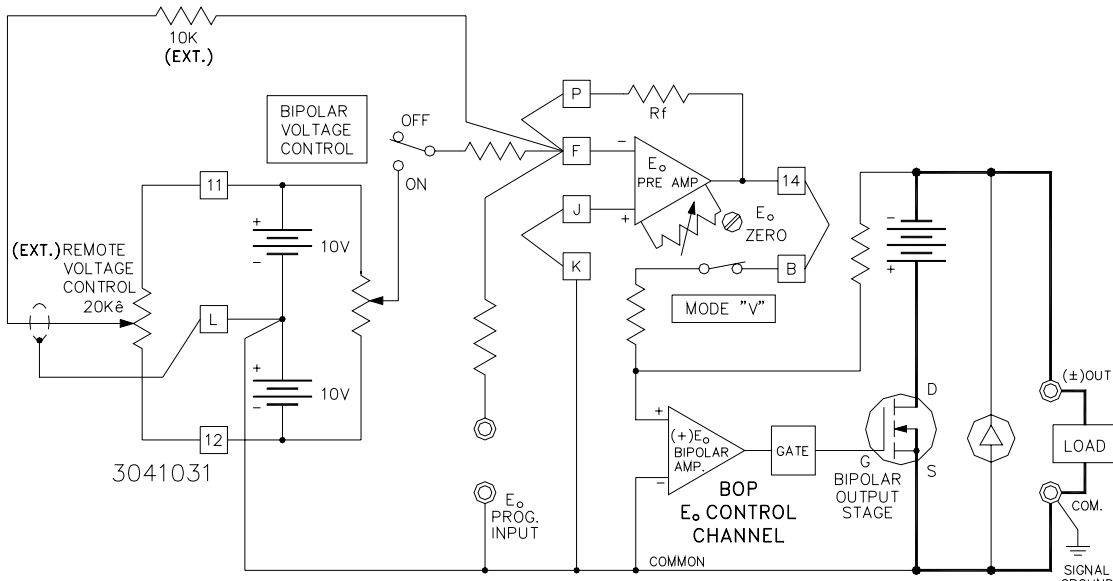


FIGURE 3-7. REMOTE POTENTIOMETER CONTROL OF THE BOP D-C OUTPUT VOLTAGE

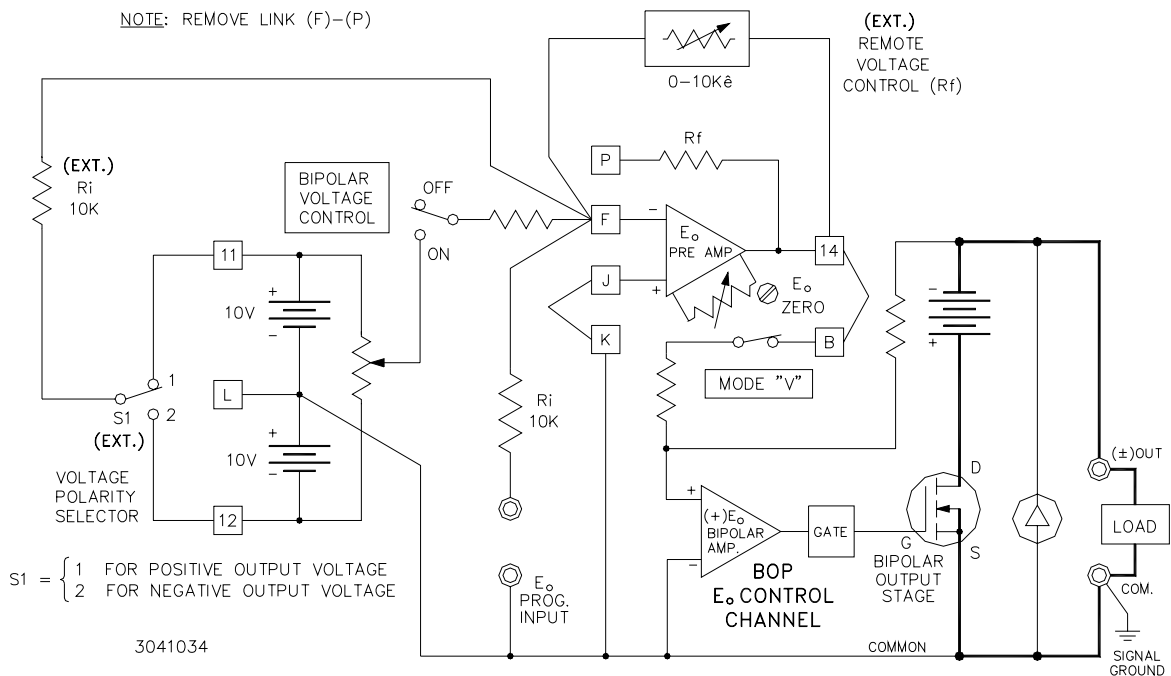


FIGURE 3-8. REMOTE D-C OUTPUT VOLTAGE CONTROL BY MEANS OF A TWO TERMINAL RESISTANCE (DECADE)

- C) This system can be calibrated to zero very accurately. For every configuration in which the BOP is used, before checking or adjusting E_O zero output, make sure that the input of the BOP voltage channel is short-circuited to the signal ground. This can be done by connecting together the front panel voltage channel input binding posts and the signal ground common, when the BOP is used as it is; or by connecting the signal ground common to the external voltage channel input, when other external configurations for the pre-amplifier are used. With zero voltage applied at the input, use a precision voltmeter to check for zero volts at the output. If output is not zero volts, adjust E_O ZERO.

3.3.2 REMOTE D-C VOLTAGE CONTROL BY MEANS OF D-C SIGNAL VOLTAGE

The BOP d-c output voltage can be controlled directly by a (\pm) 10V d-c signal, applied to the front panel E_O PROGRAM INPUT terminals. An interesting example of this application is the BOP output voltage control with a Kepco Digital Programmer.

The connections between the Kepco Digital Programmer and the BOP are illustrated in FIG. 3-9. This programming system provides a resolution of 12-bits with a linearity of (\pm) 0.01%. The digital and the power supply grounds are isolated (optical isolation) to 1000 volts. Calibration of the system is performed with the controls provided by the Kepco Digital Programmer.

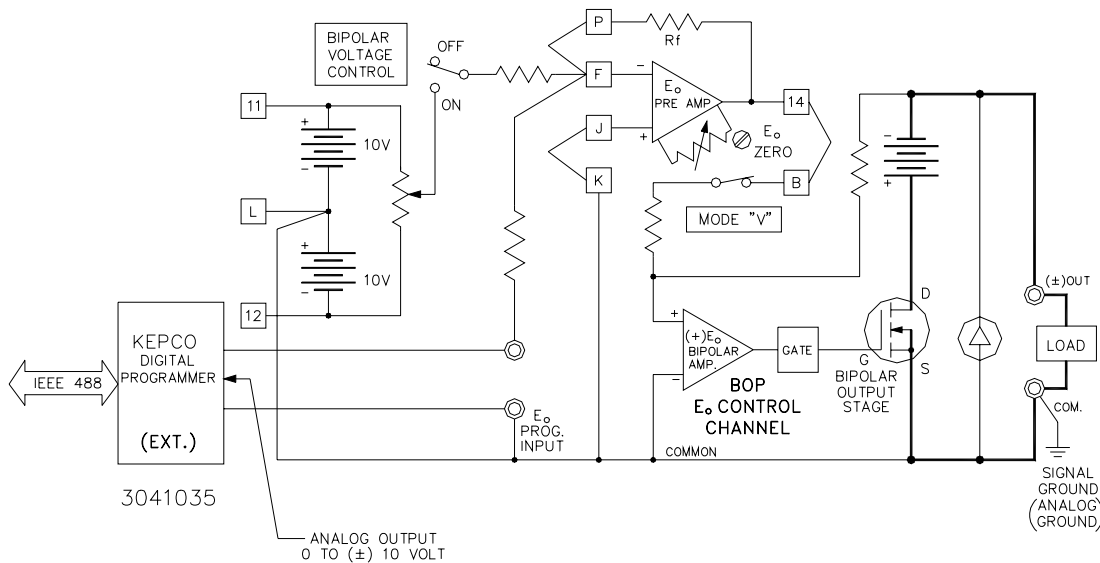
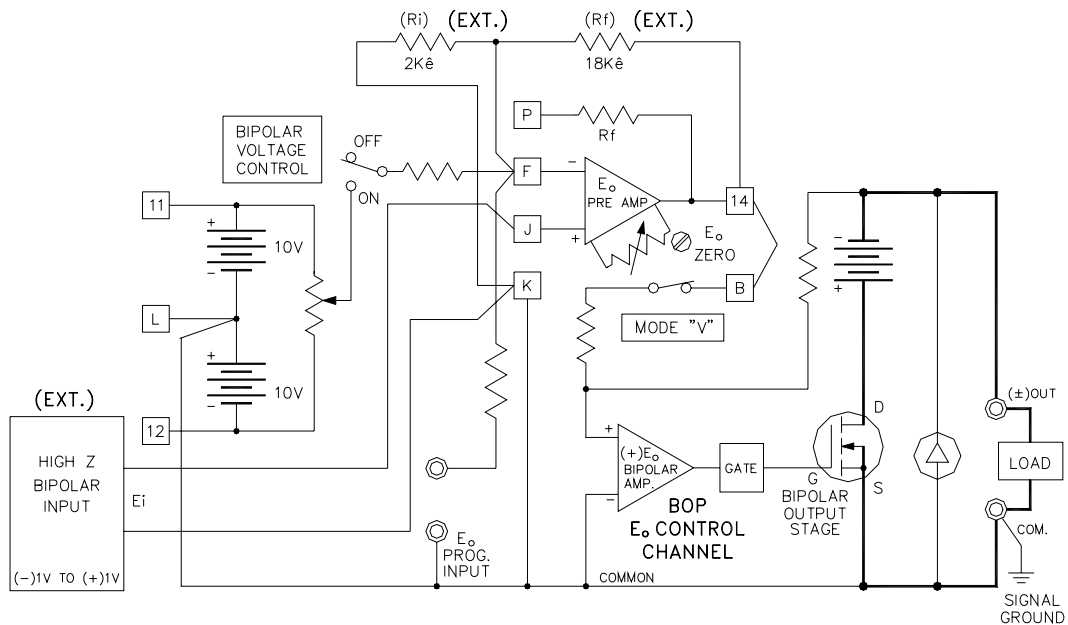


FIGURE 3-9. DIGITAL CONTROL OF THE BOP D-C OUTPUT VOLTAGE

Since all terminals of the E_O PRE-AMP are available at the REAR PROGRAMMING CONNECTOR, d-c output voltage control can be exercised in many other ways. The E_O PRE-AMP can be treated as an uncommitted operational amplifier, with its applicable transfer-functions. Its initial offsets can be zeroed with the provided E_O ZERO Control, while the offset variations are specified in Section 1 of this manual (refer to Table 1-2). The basic principle of d-c output voltage control of the BOP is that a control voltage of (\pm) 10 volts at 1 mA at the E_O PROGRAM INPUT (with the built-in feedback/input resistors) will produce the full d-c output voltage swing of the BOP. If the selected control signal does not have the required amplitude or if the required control current cannot be supplied, the E_O PRE-AMP configuration can be altered to provide the proper interface for the application.

If, for example, the BOP d-c output voltage is to be controlled by means of a bipolar, 1 volt, high impedance source, it can be connected to the BOP as shown in FIG. 3-10.



NOTES: 1. REMOVE LINKS (F)-(P) & (J)-(K)
 2. THE NON-INVERTING INPUT OF THE PREAMPLIFIER IS USED TO PREVENT LOADING OF THE INPUT SOURCE.
 3041036

FIGURE 3-10. BOP D-C OUTPUT VOLTAGE CONTROL WITH A HIGH IMPEDANCE, (±) 1V SIGNAL SOURCE

As seen in FIG. 3-10, the original input feedback components of the E_O PRE-AMP have been bypassed and are replaced by external resistors (small metal film or wirewound type resistors may be used and connected directly to the REAR PROGRAMMING CONNECTOR terminals as shown). The E_O PRE-AMP is used in the non-inverting configuration. Its output voltage (the necessary BOP control voltage) is given by

$$E_{O(\text{PRE-AMP})} = E_i \frac{R_f + R_i}{R_i} = (\pm) 1V \frac{18K + 2K}{2K} = (\pm) 10V$$

Consequently, as the BIPOLAR INPUT VOLTAGE (E_i) is controlled from (-) 1V over zero to (+) 1V, the BOP output voltage will follow over its specified range from $+E_{Omax}$ to $-E_{Omax}$. Calibration of the system can be performed at the programming source, or the E_O PRE-AMP zeroing control can be used for the low end, while the feedback resistor ($R_f = 18k$) can be trimmed to calibrate the high end of the range.

3.3.3 THE BOP AS AN AMPLIFIER

If, instead of the previously used d-c control signal, an a-c signal voltage is applied to the E_O (PROGRAM) INPUT, the BOP functions as a bipolar amplifier. As an amplifier, the BOP has a voltage gain of 50 (BOP 500M) and 100 (BOP 1000M) respectively, so that (as before with the d-c control signal) a bipolar a-c input signal with an amplitude of 20V (peak to peak) will drive the BOP output through its specified (±) output voltage range. All other dynamic specifications are given in Section 1, Table 1-3.

The BOP can be used to amplify, sum or scale a variety of waveshapes, some of which are illustrated in FIG. 3-11. All input signals are shown in phase with their corresponding output waveshapes. The latter can be readily produced 180° out of phase (i.e. with the output wave taking

the exact opposite direction of the input signal) by addressing the non-inverting input of the E_O PRE-AMP instead of the front panel E_O PROGRAM INPUT (Inverting input of the E_O PREAMP).

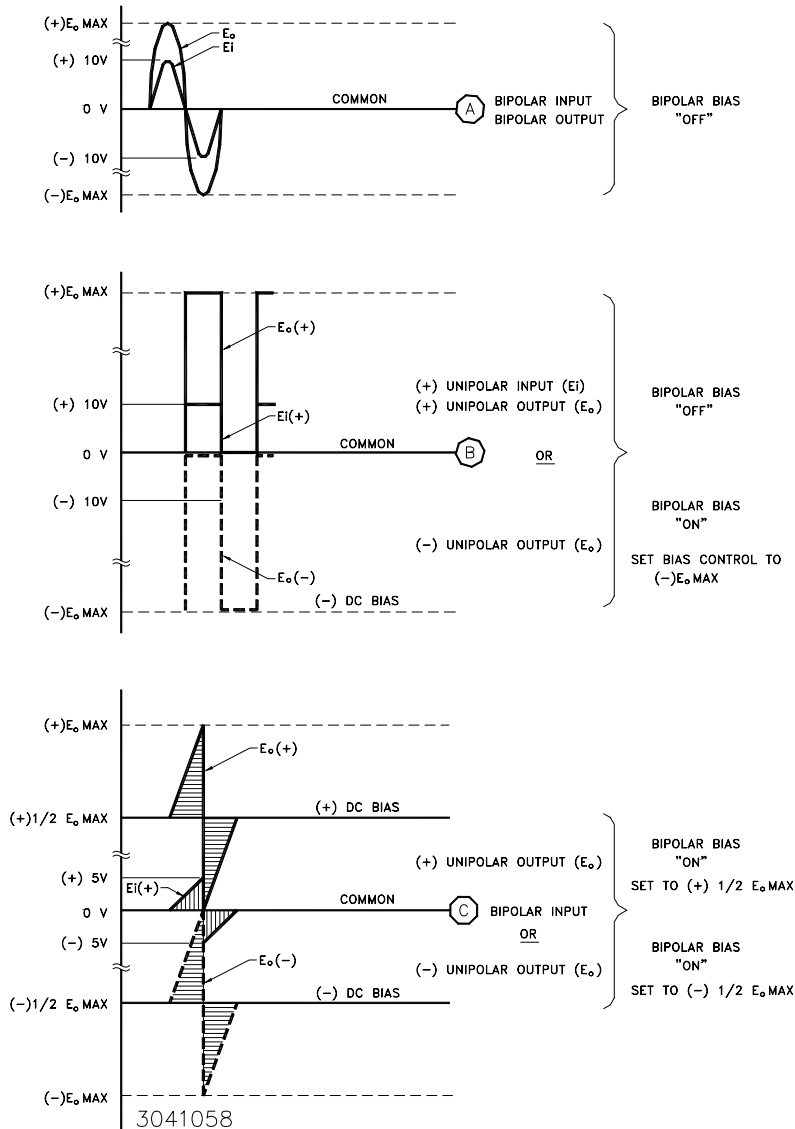
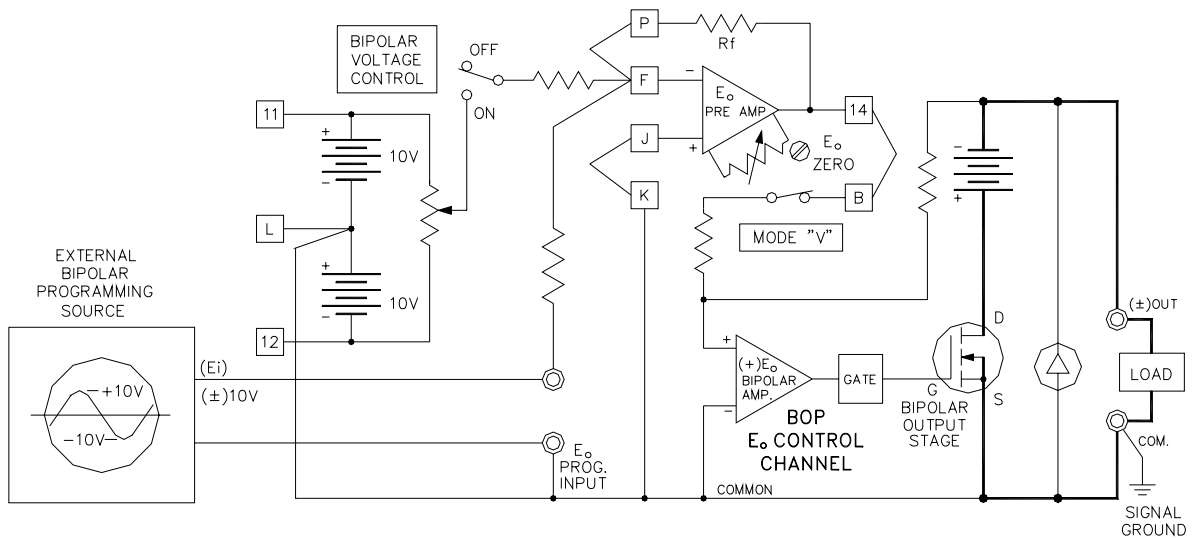


FIGURE 3-11. GRAPHS OF POSSIBLE BOP INPUT/OUTPUT WAVESHAPES

NOTE: The phase shift between the input and output signals of the BOP unit working as an amplifier is 0° in the non-inverting configuration (inherent) or 180° in the inverting configuration. This is only for input signal frequencies smaller than $1/10$ of the 3dB bandwidth frequency listed in Section 1, Table 1-3.

The basic programming circuit with which all the waveforms shown in FIG. 3-11 can be produced is shown in FIG. 3-12. Since all input signals in FIG. 3-11 are shown with a ± 10 volt ampli-

tude, the basic programming circuit in FIG. 3-12 must be modified if the external signal source cannot produce 10 volts and if the full BOP output voltage swing is required.



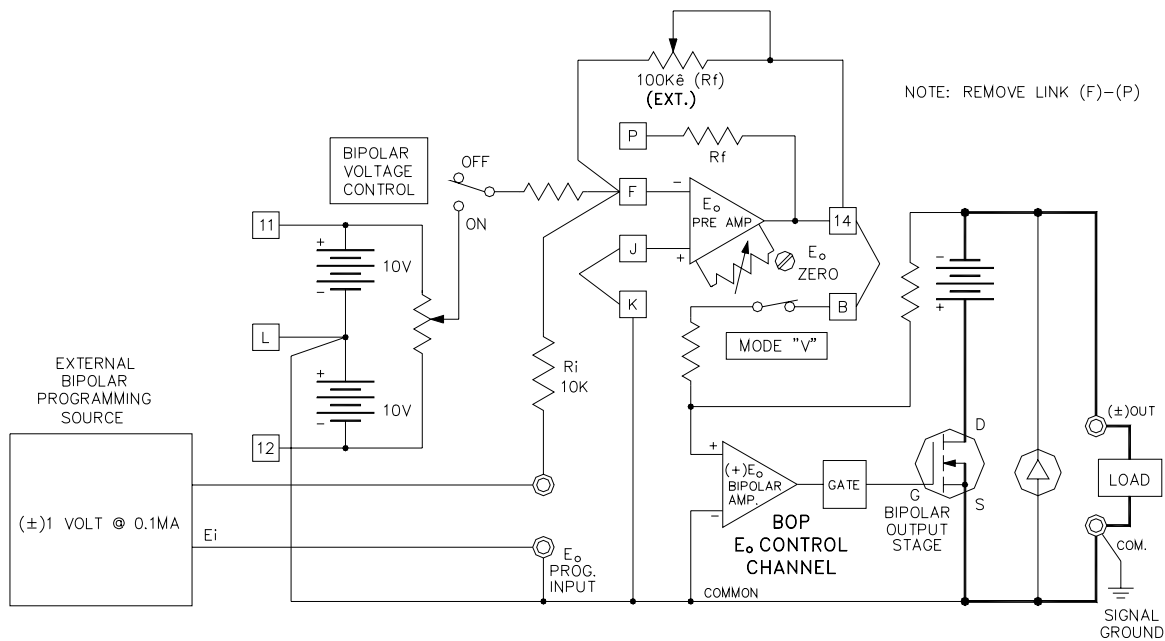
3041038

FIGURE 3-12. BASIC PROGRAMMING CIRCUIT FOR USE OF THE BOP AS A BIPOLAR AMPLIFIER (VOLTAGE MODE)

If the EXT. PROGRAMMING SOURCE does not have sufficient amplitude to drive the BOP over its full output range, the gain of the E_o PRE-AMP must be changed from the built-in 1V per volt value to suit the application. To calculate the required components for the new gain requirement, the output equation for the E_o PRE-AMP in the inverting configuration is used:

$$E_o (\text{PRE-AMP}) = - E_i (R_f/R_i)$$

where $E_o (\text{PRE-AMP}) = \pm 10V$, and the values of R_f and R_i depend on the available amplitude of the programming source. If, for example, a ± 1 volt source is available, the ratio R_f/R_i must be 10, and the two resistor values can be $R_i = 10K$ and $R_f = 100K$ ohms, respectively. The built-in resistor ($R_i = 10K$) can be retained, and only R_f must be replaced with a 100K metal film (1/2 watt) component. The necessary connections are illustrated in FIG. 3-13. Gain control (0 to 10) can be exercised by making R_f a rheostat instead of a fixed resistor.



3041040

FIGURE 3-13. PROGRAMMING CIRCUIT FOR DRIVING THE BOP OUTPUT VOLTAGE WITH A BIPOLAR ($\pm 1V$) SIGNAL

The non-inverting input of the E_O PRE-AMP is used for applications where the external programming source has a high impedance and/or cannot supply the necessary 0.1mA drive current, or where a negative going output swing is desired for a positive going input signal. The necessary connections are illustrated in FIG. 3-14 for a E_O PRE-AMP GAIN of unity (with the built-in value for R_i retained and a short across R_f), although other gain configurations can be chosen, according to the output equation for the non-inverting configuration:

$$E_O(\text{PRE-AMP}) = E_i \frac{R_f + R_i}{R_i}$$

where R_f is the external component between pins 14 and F, and R_i is the internal component 10K ohms, and the following conditions are present: the jumpers between pins P and F and between pins J and K are removed, and a short-circuit is applied across the E_O INPUT programming terminals.

3.4 BOP OPERATION WITH REMOTE CONTROL OF THE CURRENT CONTROL CHANNEL

In the local (front panel) control mode, the BOP output current can be controlled by means of the BIPOLAR CURRENT CONTROL, with the BIPOLAR CURRENT CONTROL SWITCH closed, and the MODE SWITCH in the "CURRENT" position, over the full output range. The control potential zero to (\pm)10V is applied to the I_O PRE-AMP, operating with unity gain, to the I_O BIPOLAR AMP which drives the BIPOLAR OUTPUT STAGE with a fixed gain of 8mA per volt (BOP 500M) and 4 mA per volt (BOP 1000M) respectively. A d-c control signal from zero to (\pm)10 volts will, therefore, control the BOP output current through its specified range (refer to FIG. 3-15).

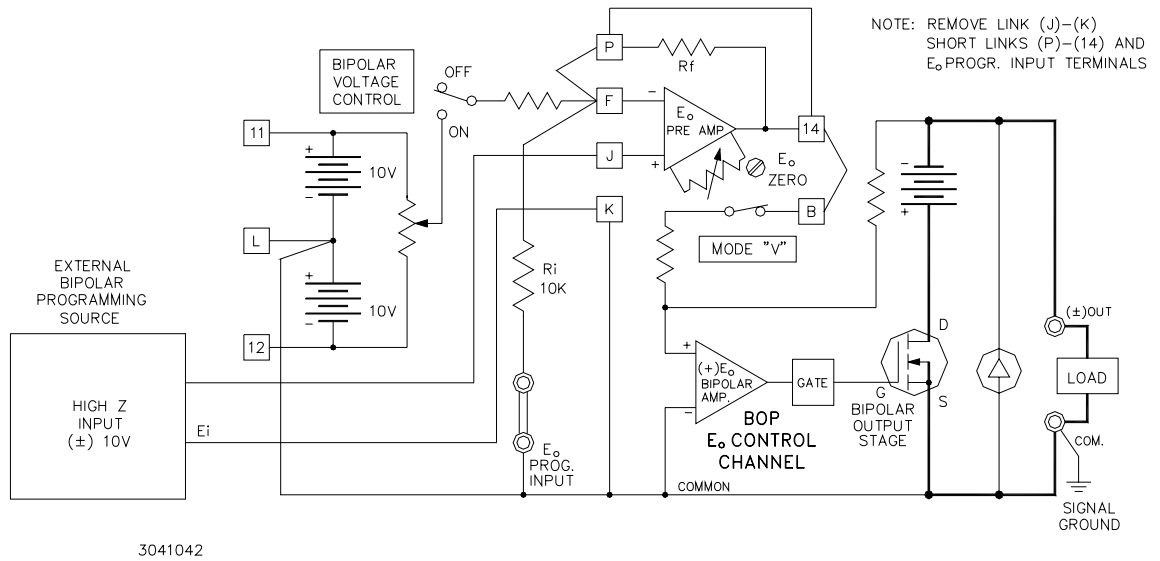


FIGURE 3-14. PROGRAMMING CIRCUIT FOR DRIVING THE BOP OUTPUT VOLTAGE WITH A HIGH IMPEDANCE SOURCE, USING THE NON-INVERTING INPUT OF THE PRE-AMPLIFIER

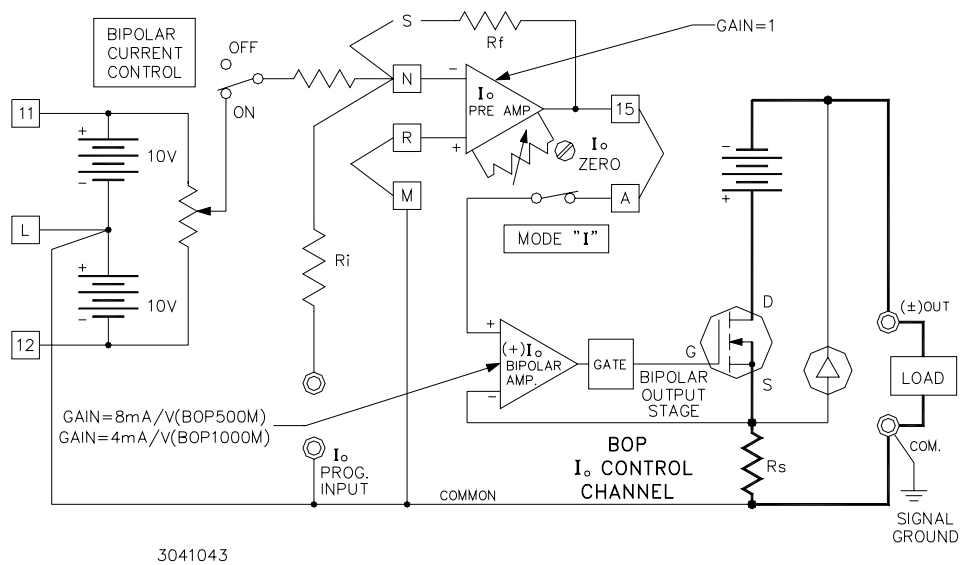


FIGURE 3-15. LOCAL (FRONT PANEL) CONTROL OF THE BOP OUTPUT CURRENT WITH THE BIPOLAR CURRENT CONTROL

3.4.1 REMOTE CONTROL OF THE BOP CURRENT CHANNEL

Since the requirements for the control of the BOP output current are the same as for programming the output voltage, and since the control circuitry is almost identical, all programming circuit descriptions for programming the output voltage of the BOP can be applied for current

programming. The current programming circuits are illustrated in FIGs. 3-16 to 3-22. Any exceptions with respect to current channel programming are noted on the diagrams.

NOTE: Adjust the "zero" output current point by means of the built-in "I_o ZERO" control. Make sure that the input of the BOP current channel is short-circuited to the ground signal.

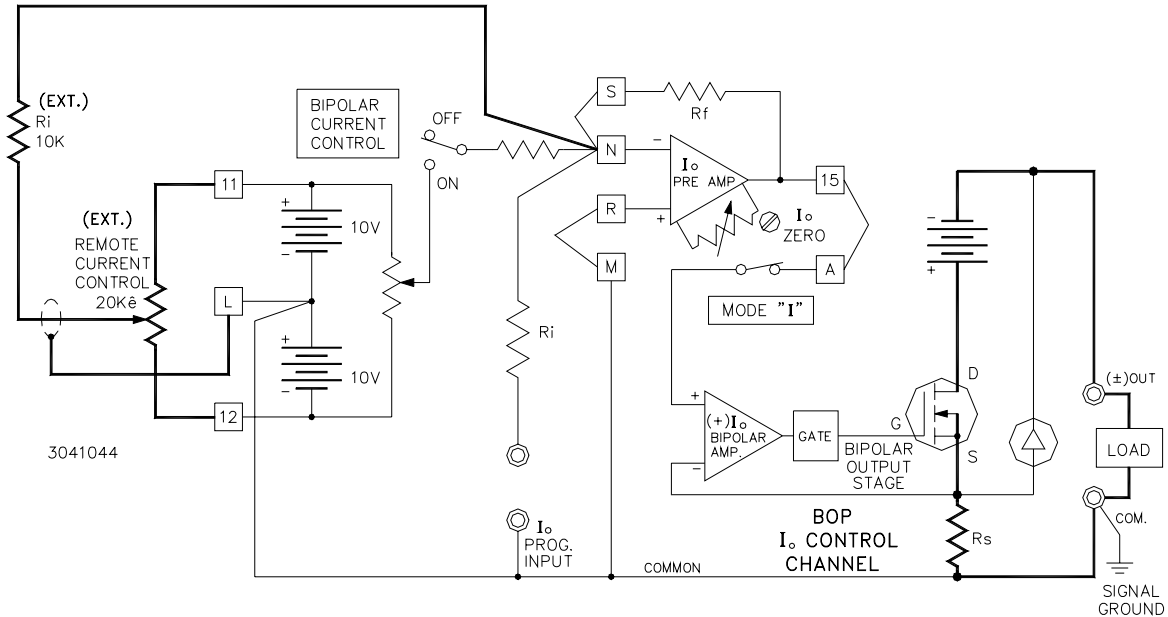


FIGURE 3-16. REMOTE POTENTIOMETER CONTROL OF THE BOP OUTPUT CURRENT

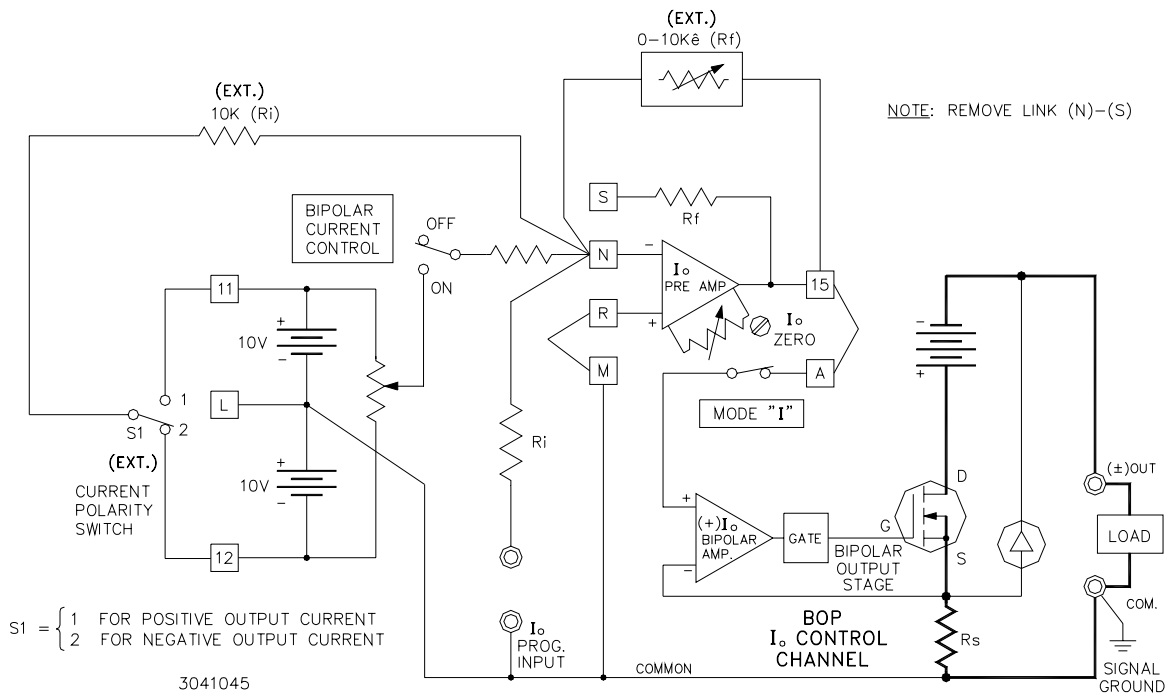


FIGURE 3-17. REMOTE OUTPUT CURRENT CONTROL BY MEANS OF A TWO TERMINAL RESISTANCE

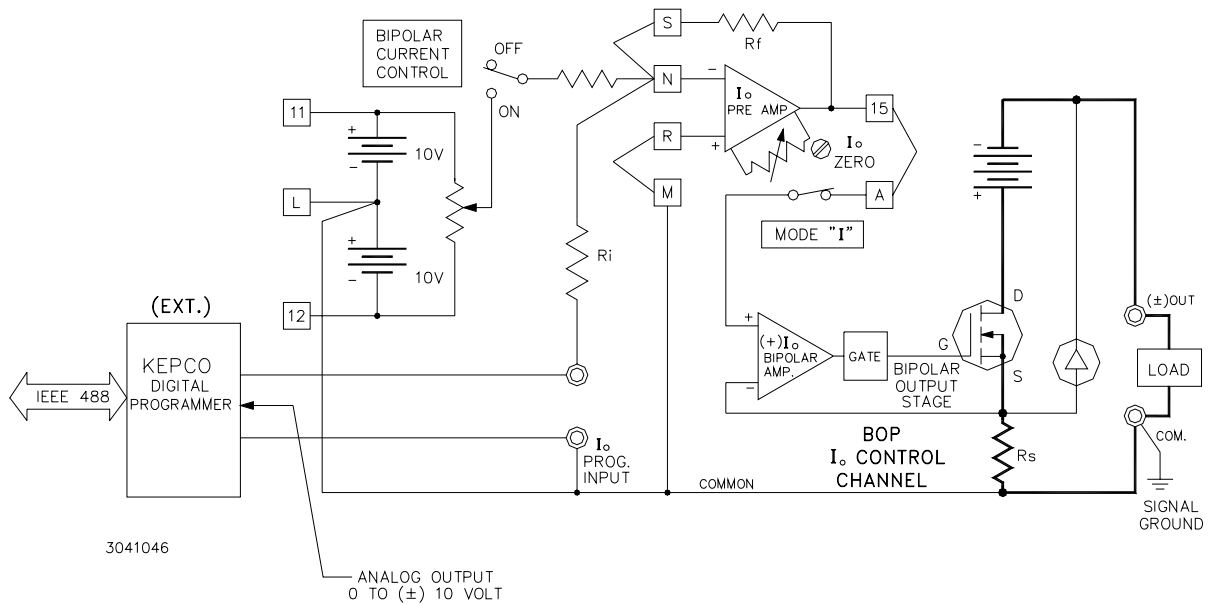
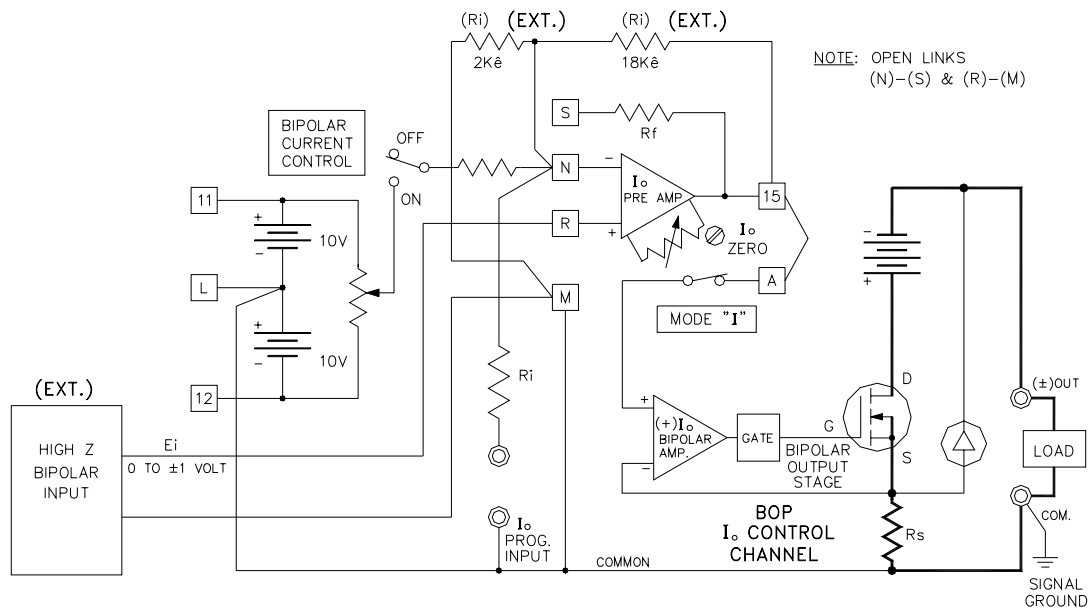


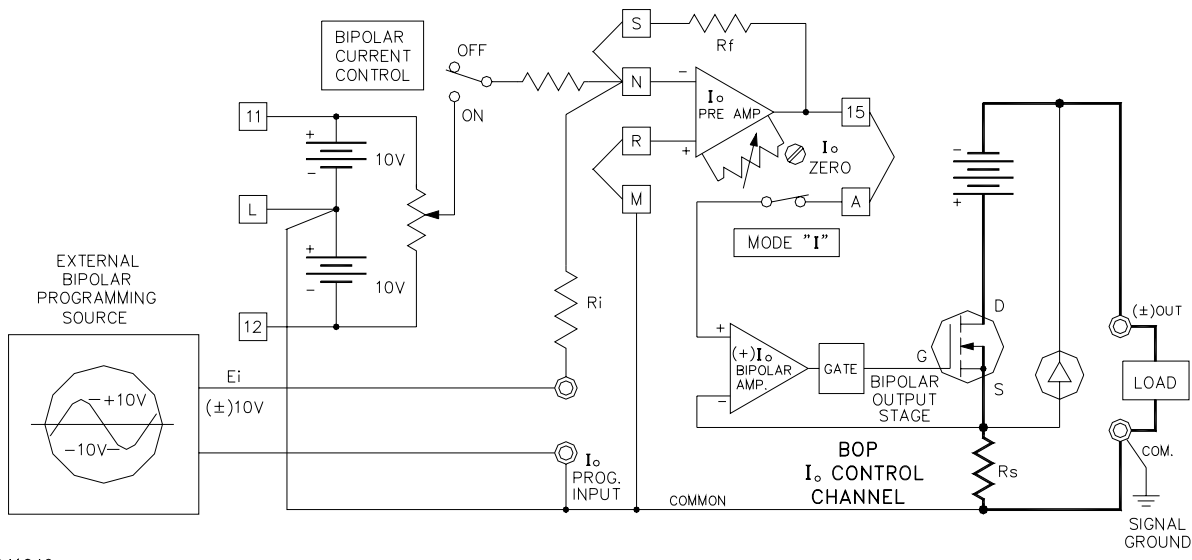
FIGURE 3-18. DIGITAL CONTROL OF THE BOP OUTPUT CURRENT



3041048

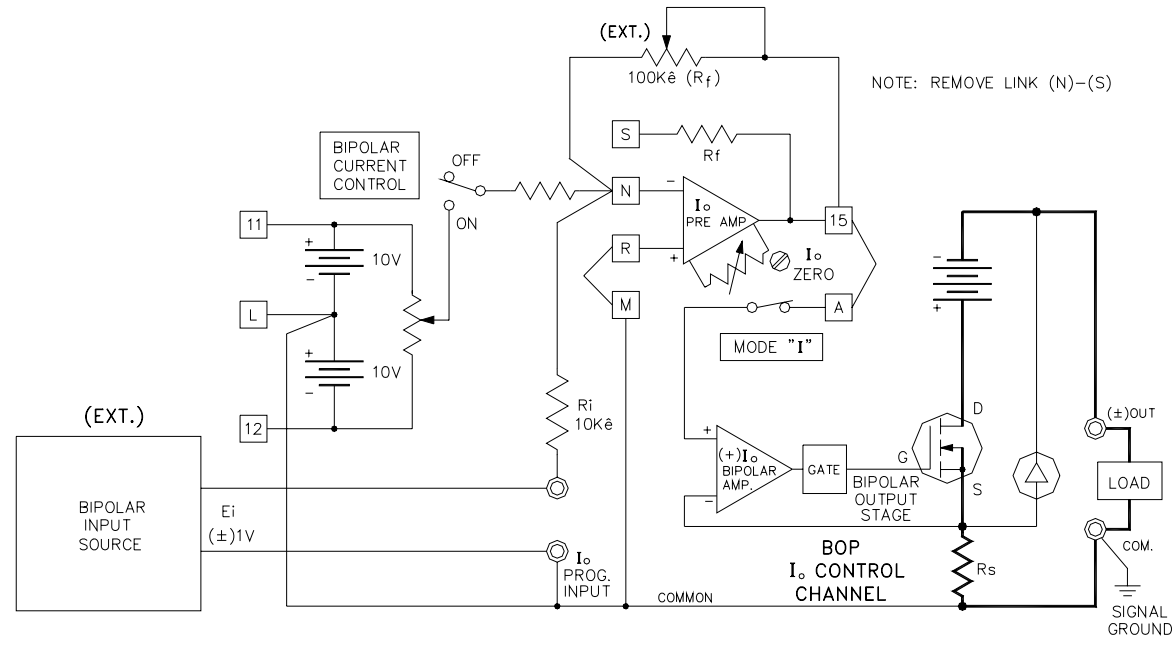
NOTE: THE NON INVERTING INPUT OF THE PRE-AMPLIFIER IS USED TO PREVENT LOADING OF THE INPUT SOURCE.

FIGURE 3-19. BOP OUTPUT CURRENT CONTROL WITH A HIGH IMPEDANCE (±) 1 VOLT SIGNAL SOURCE



3041049

FIGURE 3-20. BASIC PROGRAMMING CIRCUIT FOR USE OF THE BOP AS A BIPOLAR CURRENT STABILIZED AMPLIFIER



3041050

FIGURE 3-21. PROGRAMMING CIRCUIT FOR DRIVING THE BOP OUTPUT CURRENT WITH A BIPOLAR SIGNAL LESS THAN ±10V (EXAMPLE SHOWN: ±1V SOURCE)

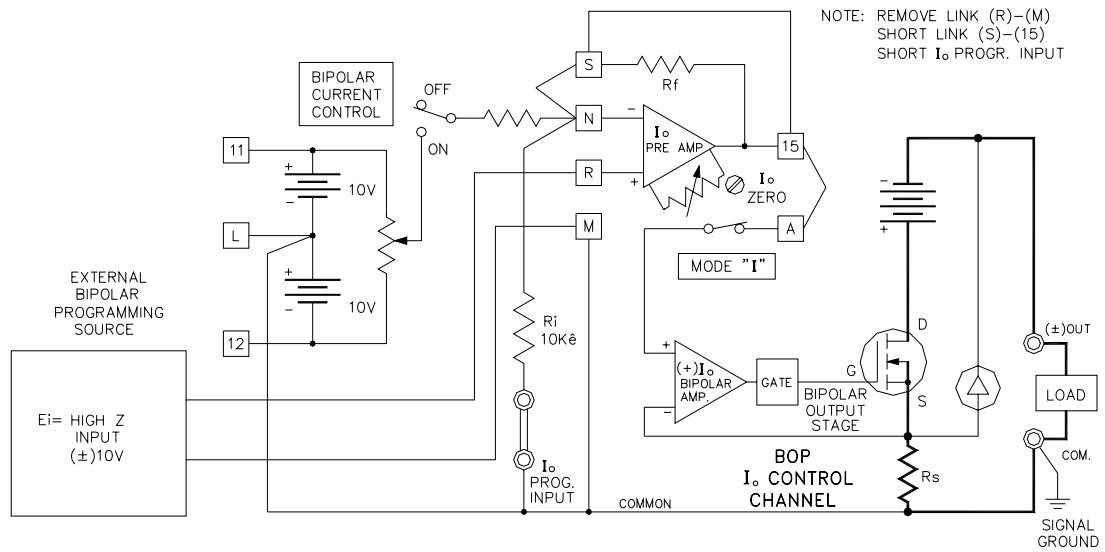


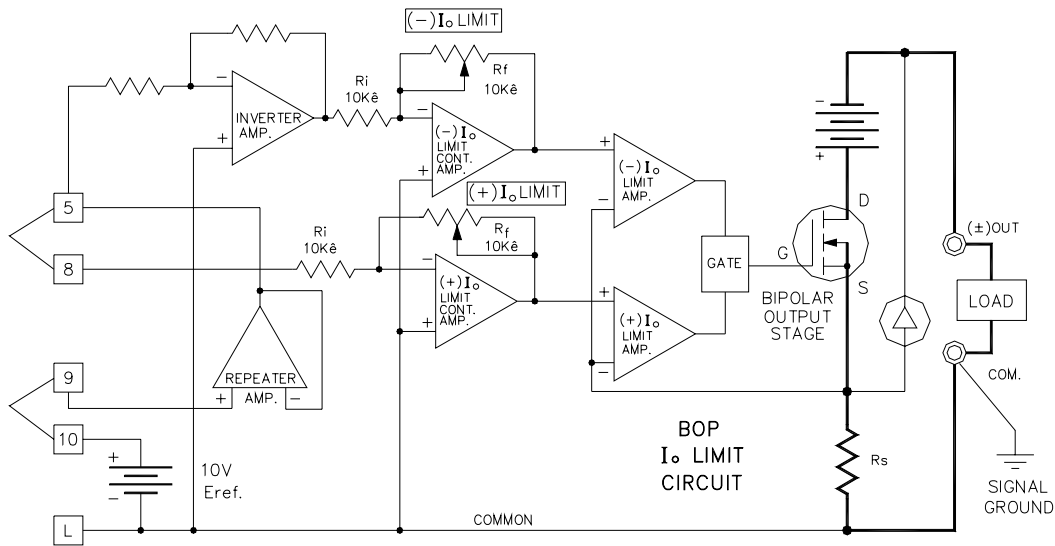
FIGURE 3-22. PROGRAMMING CIRCUIT FOR DRIVING THE BOP OUTPUT CURRENT WITH A HIGH IMPEDANCE SOURCE

3.4.2 REMOTE CONTROL OF THE BOP CURRENT LIMIT

The BOP I_o LIMIT CIRCUIT in the local (front panel) control mode is shown in FIG. 3-23. A (+) 10 volt reference voltage is repeated and inverted to obtain two reference voltages (+10V and -10V respectively). These references are applied at the input of the two (±) I_o LIMIT CONTROL AMPS. Both control amplifiers operate in the inverting configuration and produce the control potential according to the output equation:

$$E_{\text{control}} = (-) \frac{E_{\text{ref}}}{R_i} R_f$$

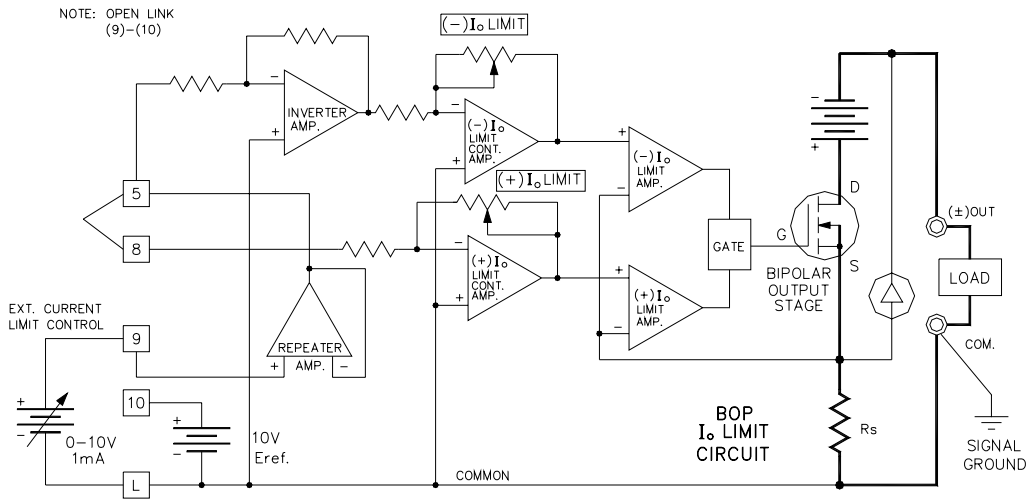
Since "R_f" is adjustable, the control voltage (E_{CONTROL}) can be varied from zero to (+)10V and (-)10V respectively, thus providing output current limit control over the full range of the BOP



3041052

FIGURE 3-23. LOCAL (FRONT PANEL) CONTROL OF THE BOP CURRENT LIMIT CIRCUITS

The BOP current limits can be remotely controlled by disconnecting the fixed reference potential, setting the front panel controls to their maximum clockwise position, and substituting a variable (0 to 10 volt) reference potential. The two limits may be controlled simultaneously and symmetrically, or separately. The necessary connections are shown in FIG's 3-24 and 3-25 respectively.



3041053

FIGURE 3-24. SYMMETRICAL REMOTE CONTROL OF THE BOP CURRENT LIMITS

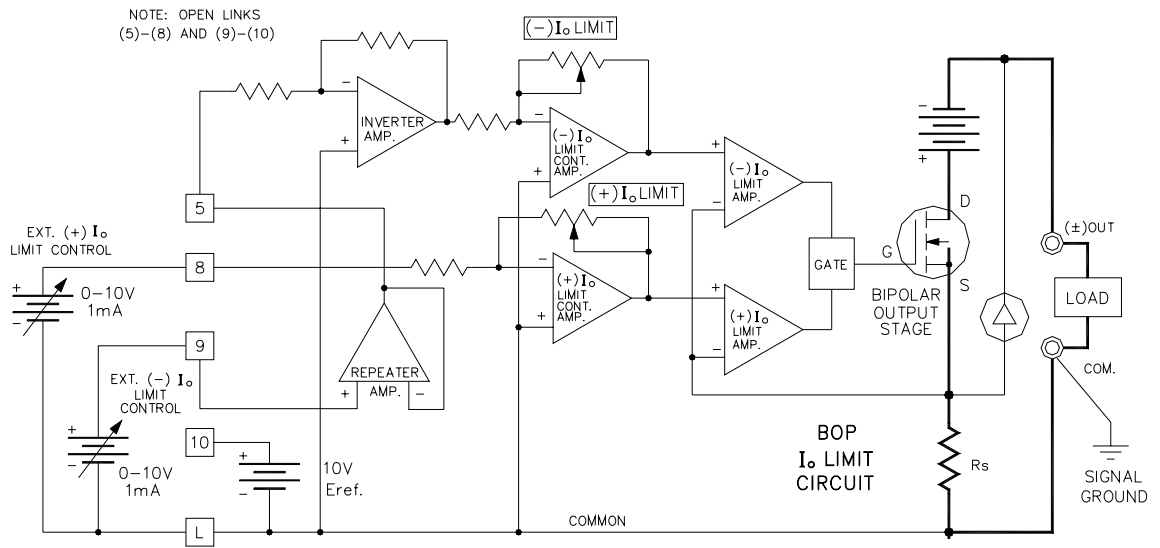


FIGURE 3-25. INDEPENDENT REMOTE CONTROL OF THE BOP (+) I_o AND (-) I_o LIMITS

3.4.3 REMOTE CONTROL OF THE BOP VOLTAGE LIMIT

The BOP E_o LIMIT CIRCUIT in the local (front panel) control mode is shown in FIG. 3-26. The circuit functions in the same manner as the I_o LIMIT CIRCUIT described previously (refer to PAR. 3.4.2) and can be remotely controlled symmetrically with a 0 to 10V d-c source, or the (+) and (-) voltage limit can be controlled independently by individual 0 to 10V d-c sources. The necessary circuit connections are illustrated in FIG's 3-27 and 3-28. NOTE: The front panel VOLTAGE LIMIT CONTROLS serve as a "back-up" when remote controlling the voltage limits on the BOP. The front panel VOLTAGE LIMIT CONTROLS should be set to their maximum positions if full range remote control of the BOP voltage limits is desired.

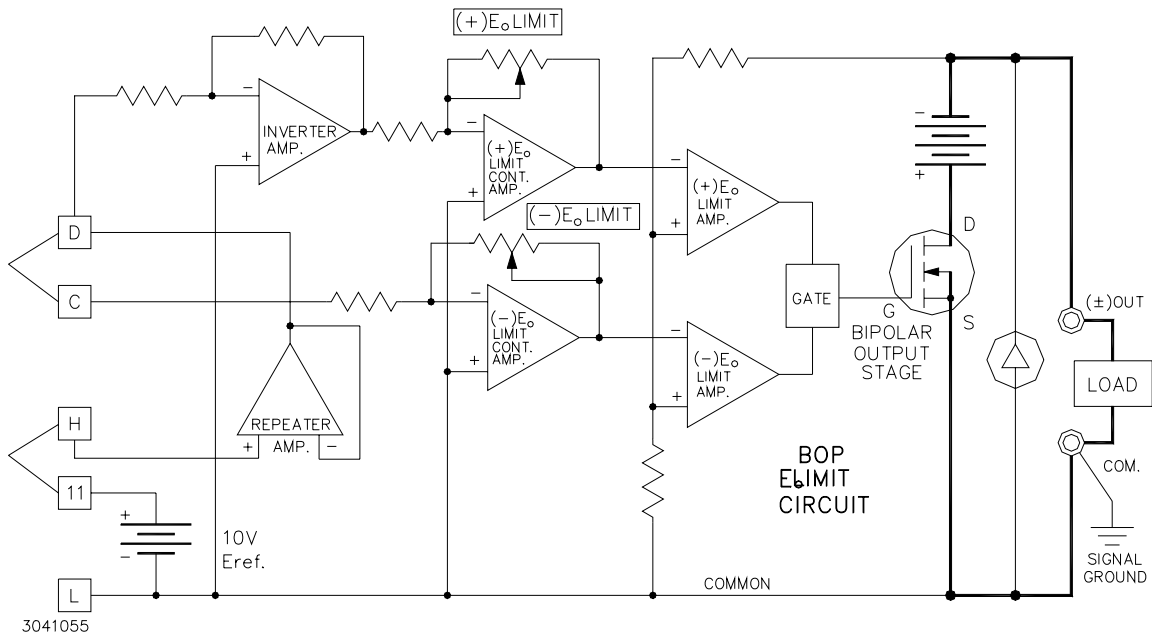
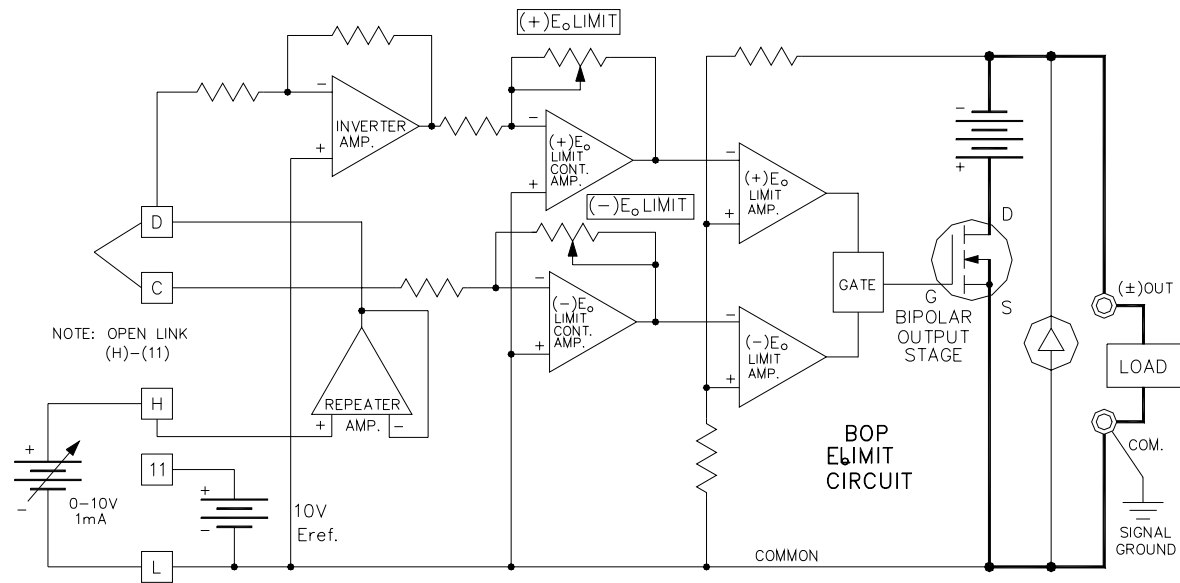
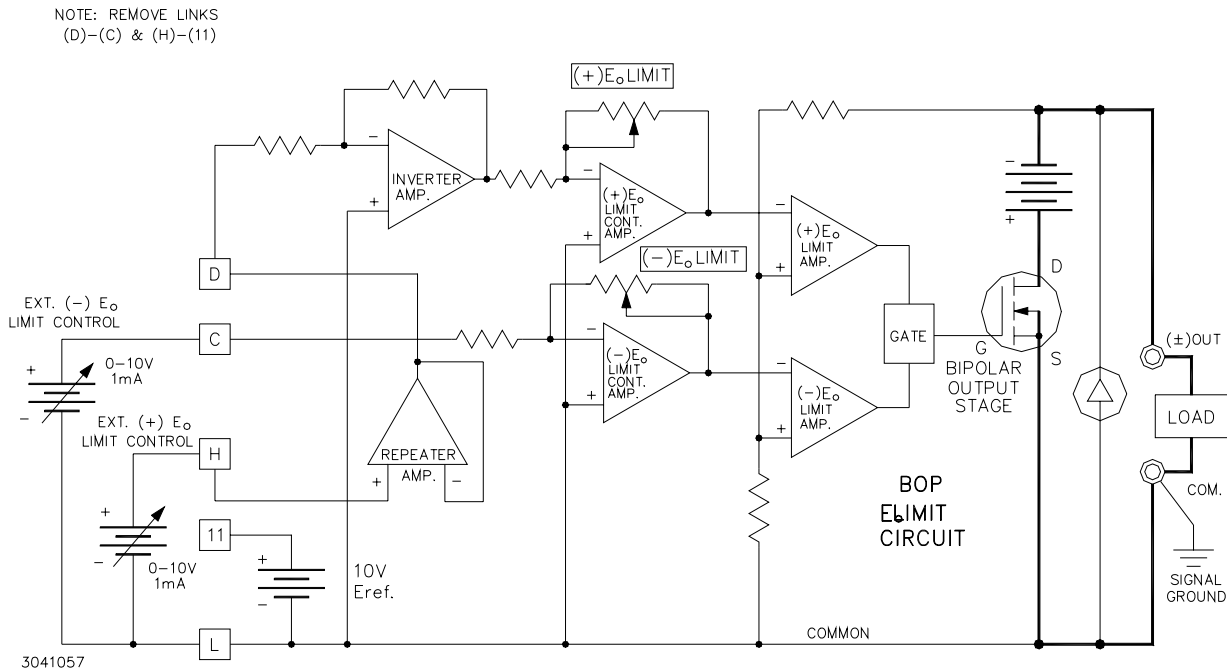


FIGURE 3-26. LOCAL (FRONT PANEL) CONTROL OF THE BOP VOLTAGE LIMIT CIRCUITS



3041056

FIGURE 3-27. SYMMETRICAL REMOTE CONTROL OF THE BOP VOLTAGE LIMIT CIRCUIT



3041057

FIGURE 3-28. INDEPENDENT REMOTE CONTROL OF THE BOP VOLTAGE LIMIT CIRCUITS