

INSTRUCTION MANUAL

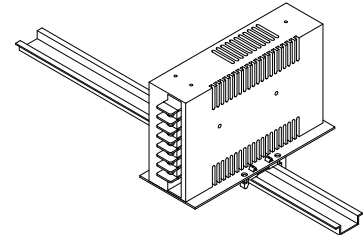


KEPCO An ISO 9001 Company.

**KIT
DIN AK
-75/100VS**

DIN-RAIL MOUNTING KIT FOR SERIES AK-75VS, AK-100VS

DESCRIPTION. Kepco KITS, Models DIN AK-75VS and AK-100VS each contain a mounting plate and two clips and associated hardware used to install AK-75 and AK-100 power supplies on a DIN rail. The "VS" suffix is for mounting vertically along the short dimension (width) as shown in Figure 1. Outline dimensions are shown in Figure 4.



3043999

FIGURE 1. VS SUFFIX ORIENTATION

TABLE 1. COMPONENTS SUPPLIED

KIT MODEL NO.	MOUNTING PLATE (QTY 1) PART NO.	CLIP (QTY 2) PART NO.	SCREW, SEMS (QTY 3) PART NO.
DIN AK-75VS, DIN AK-100VS	189-0913	108-0365	101-0463 (M4 X 8 PHPH)

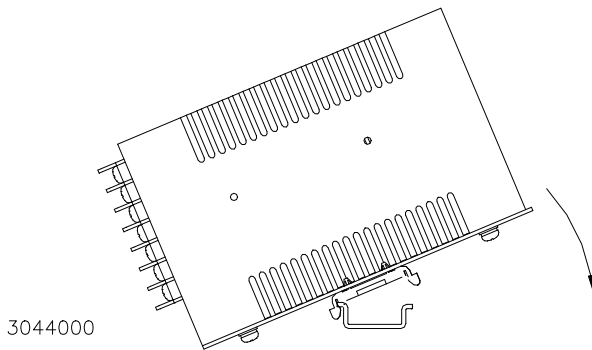
INSTALLING KIT. Attach the mounting plate to the power supply using the hardware supplied (see Figure 3). Then snap the clips into place as shown in Figure 3.

INSTALLING POWER SUPPLY ON DIN RAIL. To mount the power supply on the rail insert one end of both clips under one edge of the rail, then snap the other end of the two clips into place (see Figure 2A). If the DIN rail is mounted on a flat surface, the DIN rail must be raised at least 0.03 in. above flat surface to avoid interference during installation/removal.

REMOVING POWER SUPPLY FROM DIN RAIL. While grasping the power supply with one hand, use a screwdriver to apply leverage towards the left as shown in Figure 2B to disengage each clip from the rail. Where mounting clips are close together, it may be necessary to apply leverage with two screwdrivers simultaneously.

A — INSTALLATION

B — REMOVAL



3044000

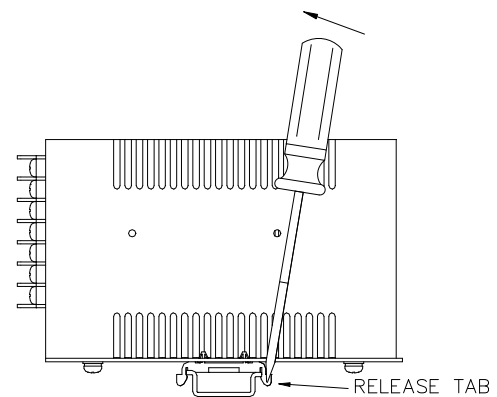


FIGURE 2. INSTALLATION AND REMOVAL OF POWER SUPPLY FROM DIN RAIL

KEPCO, INC. ● 131-38 SANFORD AVENUE ● FLUSHING, NY. 11355 U.S.A. ● TEL (718) 461-7000 ● FAX (718) 767-1102
<http://www.kepcopower.com> ● email: hq@kepcopower.com

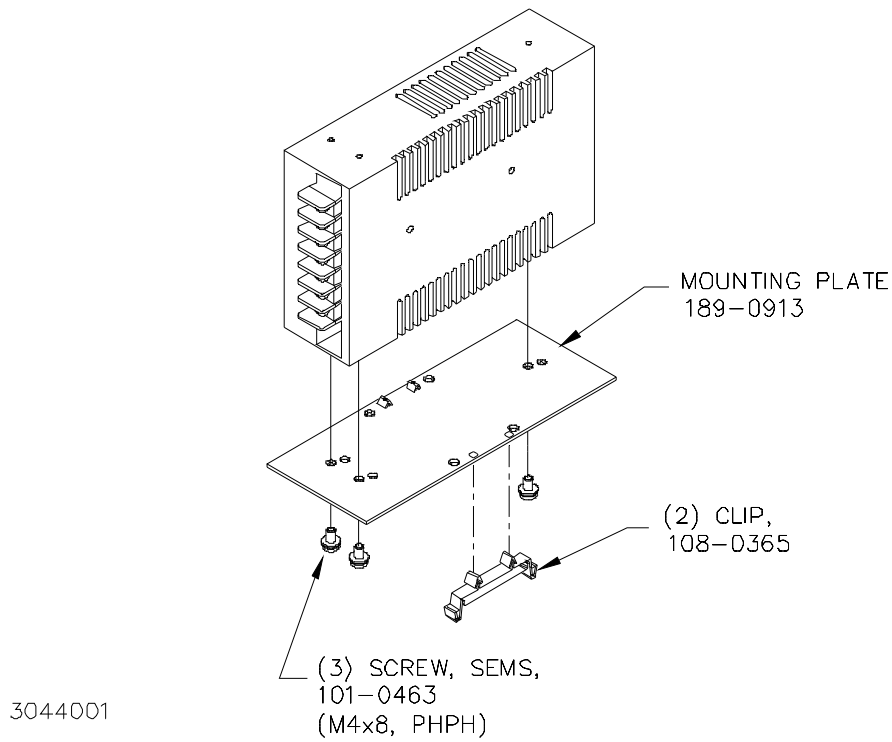


FIGURE 3. INSTALLATION OF KIT ON POWER SUPPLY

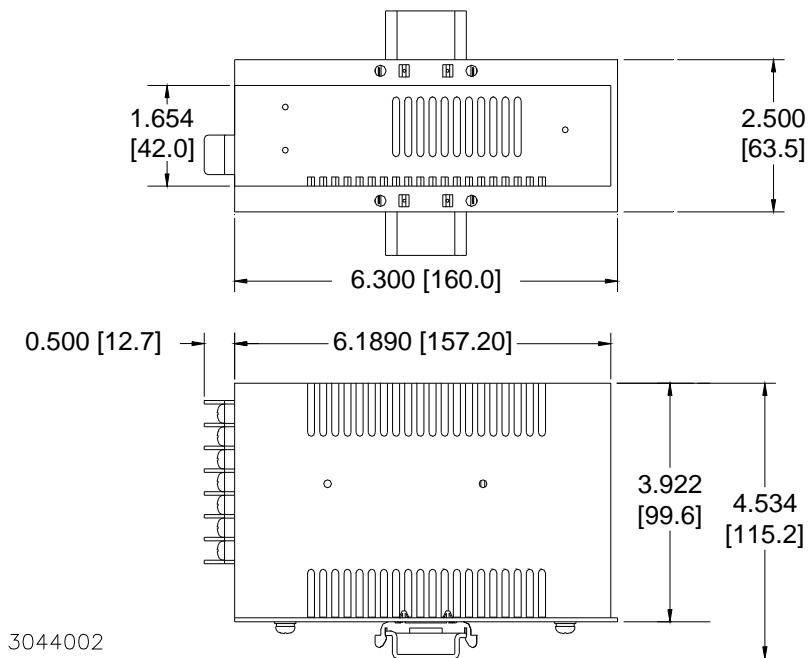


FIGURE 4. POWER SUPPLY WITH KIT INSTALLED, OUTLINE DIMENSIONS