

Features:

- Universal AC input / Full range
- Installed on DIN rail TS-35 / 7.5 or 15
- Built-in active PFC function, PF > 0.95
- 150% peak load capability
- Protection: SCP, OLP, OVP, OTP
- Two selectable peak load modes
- Built-in DC OK (Open Collector Signal)
- Built-in Remote ON / OFF function
- 3 years warranty



MODEL		DV-480-24	DV-480-48
Output	DC Voltage Range	24V	48V
	Rated Current	20A	10A
	Current Range	0 ~ 20A	0 ~ 10A
	Rated Power (Max.)	480W	480W
	Peak Current	30A	15A
	Peak Power	Note.6 720W (3sec.) selectable peak load modes	
	Ripple & Noise (Max.)	Note.2 240mVp-p	480mVp-p
	Voltage Adj. Range	-5 ~ +5%	
	Voltage Tolerance	Note.3 ±1.0%	±1.0%
	Line Regulation	±0.5%	±0.5%
	Load Regulation	±1.0%	±1.0%
	Setup, Rise Time	800ms, 100ms / 230VAC / 115VAC at full load	
Hold Time (Typ.)	16ms / 230VAC, 16ms / 115VAC at full load		
Input	Voltage Range	88 ~ 264VAC, 124 ~ 373VDC	
	Frequency Range	47 ~ 63Hz	
	Power Factor (Typ.)	0.96 / 230VAC / 115VAC at full load	
	Efficiency (Typ.)	93%	94%
	AC Current (Typ.)	5.0A / 115VAC, 2.5A / 230VAC	
	Inrush Current (Typ.)	33A / 115VAC, 65A / 230VAC	
Leakage Current	< 1mA / 240VAC		
Protection	Over Load	Hiccup mode: when the rated output power is within 105 ~ 150% for more than 3secs. Constant current limit: > 150% rated power / short circuit Auto-recovery: If O/P drop to 40% of the rated output voltage, PSU will shut down and auto-recover 5times (If fault condition remains after 5times recovery, PSU will shut down. User must re-power on to recover)	
	Over Voltage	29 ~ 33V	56 ~ 65V
	Over Temperature	95 ±5°C (TSW: detect on heatsink of power diode) Protection type: Shut down o/p voltage, recovers automatically after temperature goes down	
Environment	Working Temp.	Note.5 -25 ~ +70°C (Refer to de-rating curve)	
	Working Humidity	20 ~ 95% RH non-condensing	
	Storage Temp. & Humidity	-40 ~ +85°C, 10 ~ 95% RH	
	Temp. Coefficient	±0.03% / °C (0 ~ 50°C)	
	Vibration	Component: 10 ~ 500Hz, 2G 10min. / 1cycle, 60min. each along X, Y, Z axes; Mounting: Certified IEC 60068-2-6	
Safety & EMC	Safety Standards	Certified UL 508 / EN 60950-1	
	Withstand Voltage	I/P-O/P: 4242VDC, I/P-FG: 2121VDC, O/P-FG: 707VDC, O/P-DC OK: 707VDC	
	Isolation Resistance	I/P-O/P, I/P-FG, O/P-FG: >100M Ohms / 500VDC / 25°C / 70% RH	
	EMI Conduction & Radiation	Certified EN 55022 (CISPR22), EN 55024; EN 61000-6-3	
	Harmonic Current	Certified EN61000-3-2, -3-3	
Others	EMS Immunity	Certified IEC 61000-4-2, 3, 4, 5, 6, 8, 11; EN 61000-6-1; EN 61204-3	
Others	Dimension (WxHxD)	86.3x124.8x123.35 mm / 3.398x4.913x4.856 inch	
	Packing	1.45kg; 8pcs / 12kg	
Note	1. All parameters NOT specially mentioned are measured at 230VAC input, rated load and 25°C of ambient temperature. 2. Ripple & noise are measured at 20MHz of bandwidth by using a 12" twisted pair-wire terminated with a 0.1uF & 47uF parallel capacitor. 3. Tolerance: includes setup time tolerance, line regulation and load regulation. 4. The power supply is considered a component which will be installed into a final equipment. The final equipment must be re-confirmed that it still meets EMC directives. 5. Installation clearance: 40mm from top, 20mm from bottom, 5mm from the left and right sides are recommended when loaded permanently with full power. In case the adjacent device is a heat source, 15mm clearance is recommended. 6. 3 seconds or 20% duty cycle Max. The average output power should not exceed the rated power. 7. De-rating may apply in low input voltage. Please check the de-rating curve for more details.		

Mechanical Drawings:

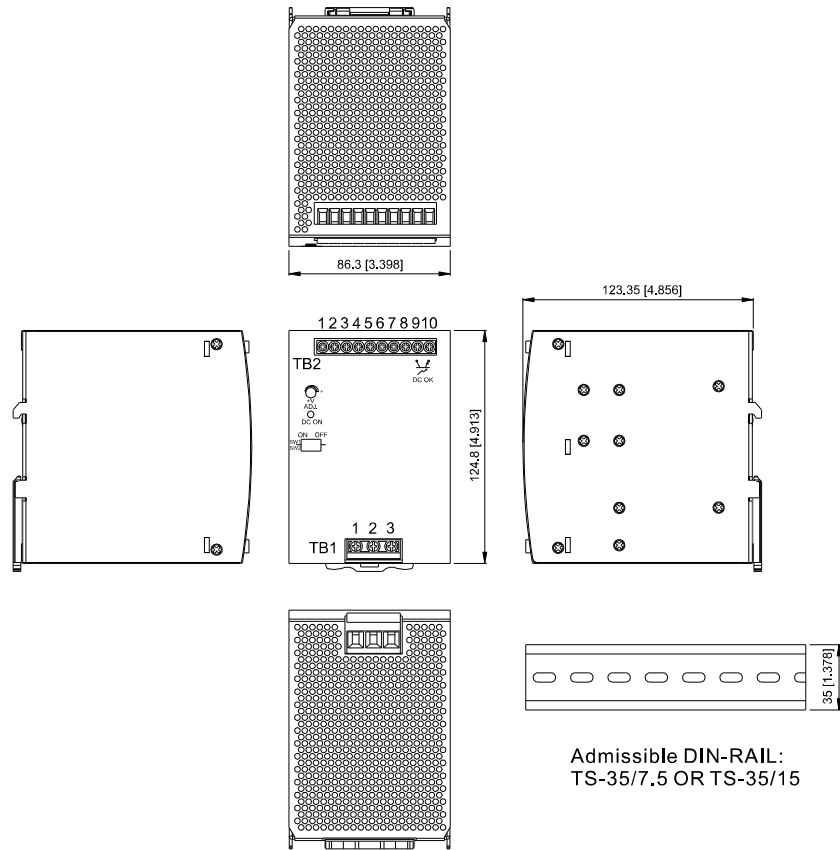
Unit : mm / inch

Terminal Pin No. Assignment (TB1)

Pin NO.	Assignment
1	FG ⊕
2	AC/L
3	AC/N

Terminal Pin No. Assignment (TB2)

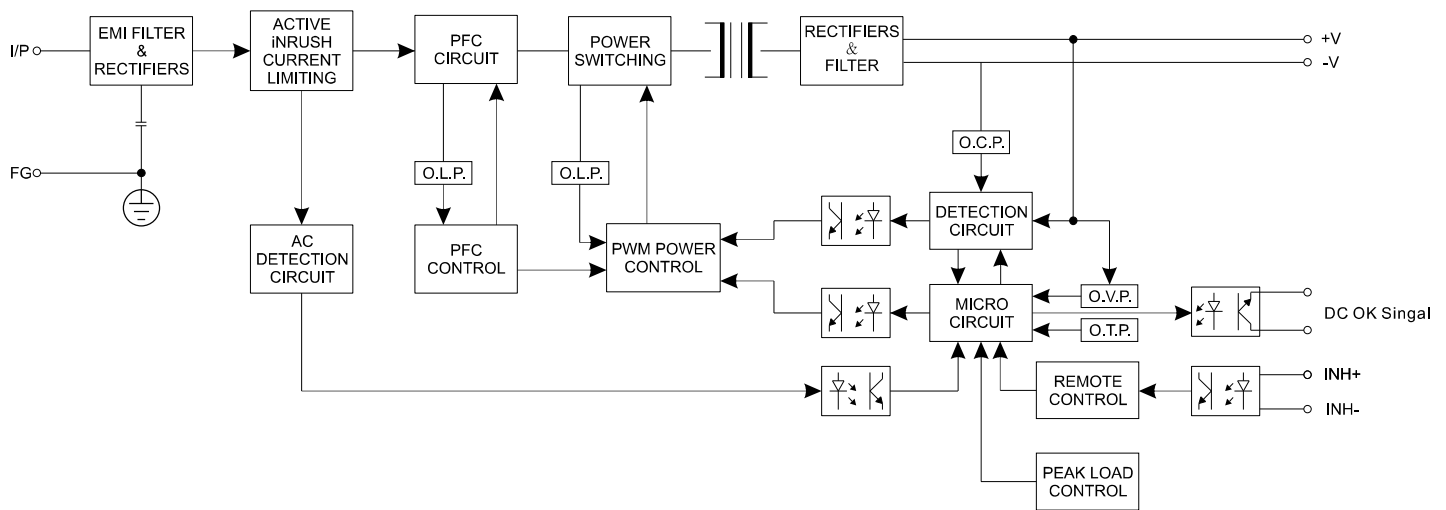
Pin NO.	Assignment
1-3	DC+
4-6	DC-
7	INH+
8	INH-
9,10	DC OK Singal



Switch No. Assignment

SW NO.	Assignment
SW1	PEAK LOAD SETTING
SW2	REMOTE ON/OFF SETTING

Block Diagram:

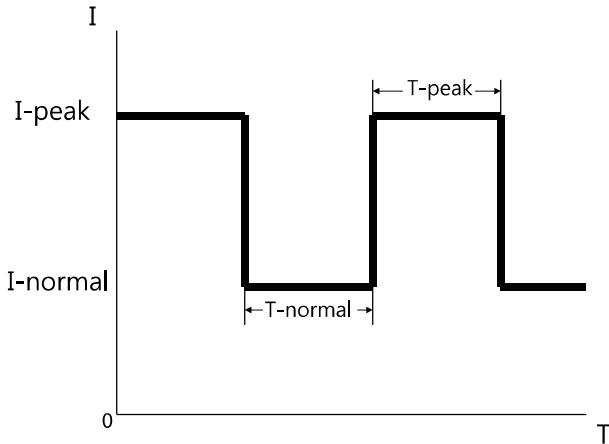


DC OK Singal Contact:

Contact Ratings(max.)	CTR : MIN. 50% at $I_f = 5mA, V_{CE} = 5V$
Isolation Voltage	Between input and output $V_{iso} = 3750Vrms$

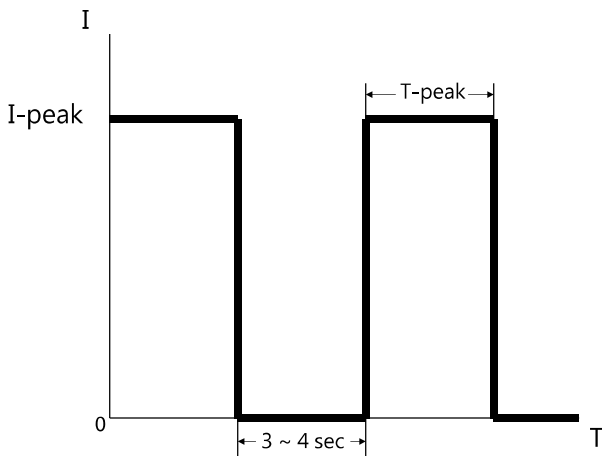
Distributed by: KEPCO, INC. • 131-38 Sanford Ave. • Flushing NY 11355 • Tel: (718) 461-7000 • FAX: (718) 767-1102
 Email: hq@kepcopower.com • www.kepcopower.com

Peak Load SW1 ON (Mode1) Default setting:

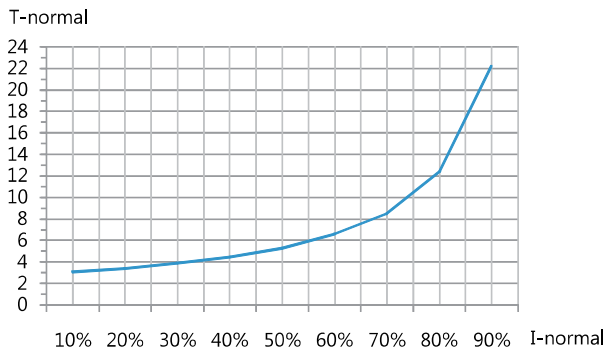


T-peak presents while the unit is working within 110%~150% Rating output power. See curve " B " for the variation in T-peak between output current and holdup time. If T-peak is more than the time setting in curve "B", the output current will drop to the constant current limit (I-normal) that is 105% rating power, meanwhile, I- normal and T-normal will be presenting. See curve "A" for the timing back to I-Peak of T-normal and this Mode can use for easy 2-stage battery charger.

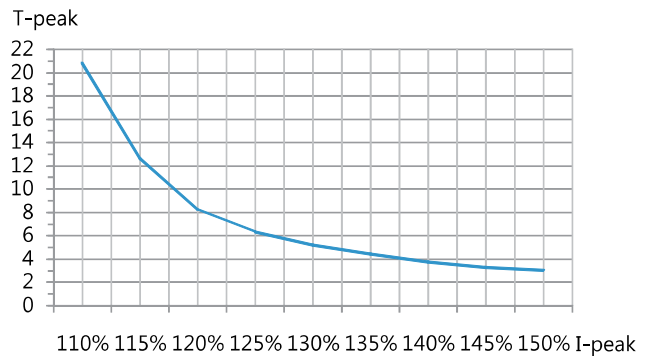
Peak Load SW1 OFF (Mode2):



T-peak presents while the unit is working within 110%~150% Rating output power. See curve " B " for the variation in T-peak between output current and holdup time. If T-peak is more than the time setting in curve "B", the output voltage will be shut down for 3~4 sec, then auto-recovery.



CURVE A



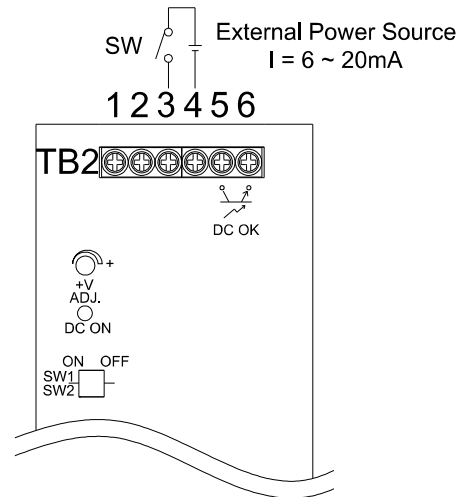
CURVE B

Remote ON / OFF:

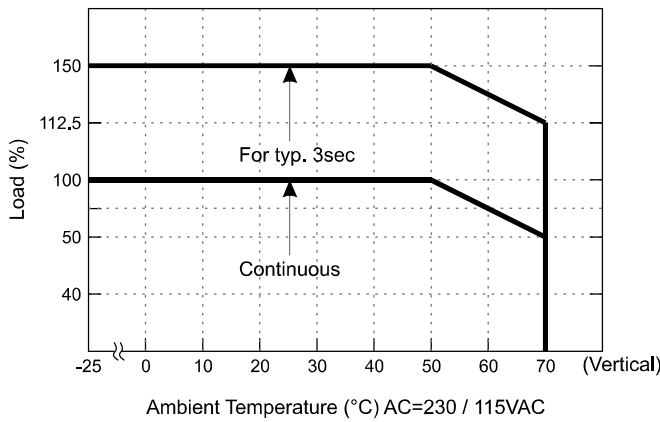
The PSU can be turned ON/OFF by using the "Remote Control" function.

SW2	INH+(3 PIN)/ INH-(4 PIN)	Output Status
OFF	SW ON (>2.5V)	ENABLE
OFF	SW OFF (<0.8V)	DISABLE
ON	SW ON (>2.5V)	DISABLE
ON	SW OFF (<0.8V)	ENABLE

(Default Setting)



De-rating Curve:



Output derating VS input voltage:

