

Features:

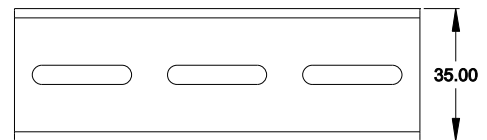
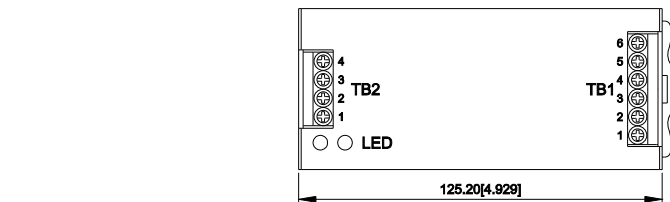
- For 24V redundant operation
- Installed on DIN Rail TS35 / 7.5 or 15
- Relay contact signal output and LED indicator for failure alarm
- 3 years warranty



MODEL		DV-RDM20
Output	Reverse Voltage (Max.)	30V
	Output Current (Max.)	20A
	Voltage Drop	0.5V
	LED Indicators	Two green LED
Input	Input Voltage Range	21 ~ 28V
	Number Of Inputs	Two
	Input Current (Max.)	20A per input
Function	Input Voltage Alarm	< 20V (±5%) or > 30V (±5%) by relay
	Relay Contact Rating (Max.)	30VDC / 1A
Environment	Working Temp.	-20 ~ 70°C
	Working Humidity	20 ~ 90% RH non condensing
	Storage Temp. & Humidity	-40 ~ +85°C, 10 ~ 95% RH
	Vibration	10 ~ 500Hz, 2G 10min. / 1cycle, period for 60min. each along X, Y, Z axes; Mounting: Certified IEC 60068-2-6
Safety & EMC	Withstand Voltage	Terminal-Chassis: 0.5KVAC, Relay Contacts-Terminal: 0.5KVAC
	Isolation Resistance	Terminal-Chassis: >100M Ohms / 500VDC / 25°C / 70% RH
	EMI Conduction & Radiation	Certified EN 55022 (CISPR22); EN 61000-3-2, -3-3
	EMS Immunity	Certified IEC 61000-4-2, 3, 4, 5, 6, 8, 11; ENV 50204; EN 55024
Others	Dimension (WxHxD)	55.5x125.2x99.8 mm / 2.185x4.929x3.929 inch
	Packing	0.45kg; 20pcs / 11kg / 1.29CUFT
Note	All parameters NOT specially mentioned are measured at 24VDC input, rated load and 25°C of ambient temperature.	

Mechanical Specification:

ADMISSIBLE DIN-RAIL: TS35/7.5 OR TS35/15

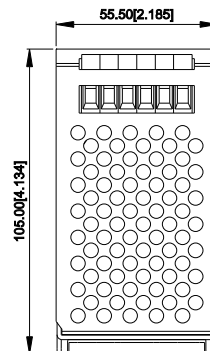
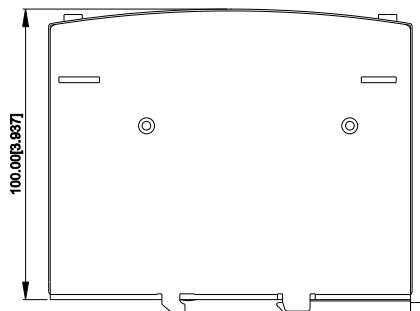
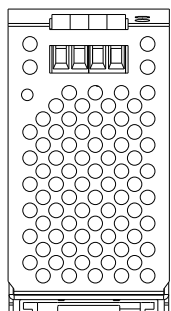


Terminal Pin No. Assignment (TB1)

Pin NO.	Assignment
1	Vout+
2	Vout-
3,4	Vin-
5	Vin B+
6	Vin A+

Terminal Pin No. Assignment (TB2)

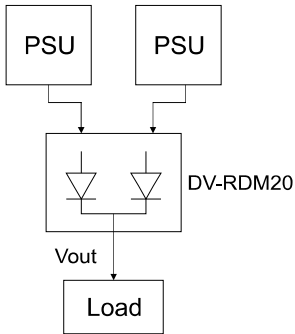
Pin NO.	Assignment
1	Alarm B1
2	Alarm B2
3	Alarm A1
4	Alarm A2



■ **Typical Application Notes:**

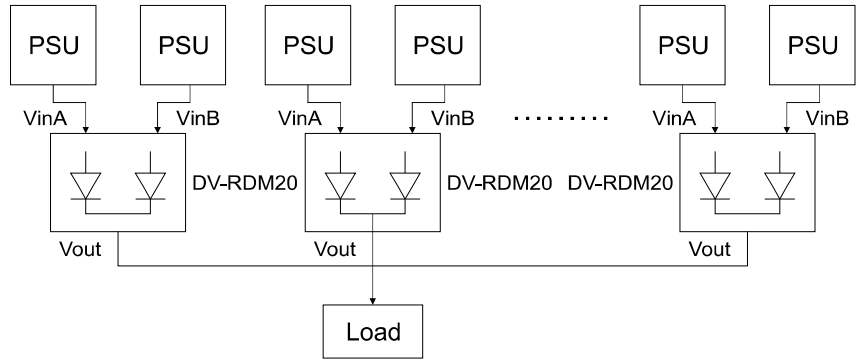
a. 1+1 Redundancy:

Using 1 more PSU as the redundant unit



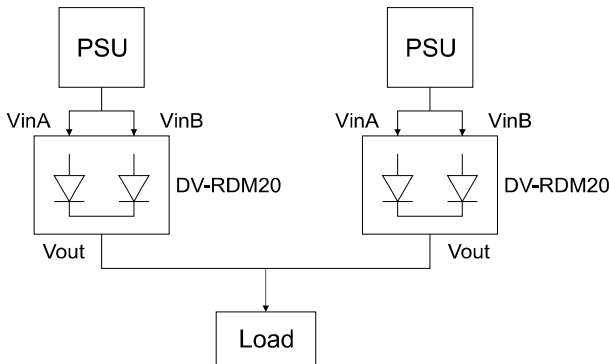
b. 1+N Redundancy:

Using more PSUs as the redundant units to increase the reliability

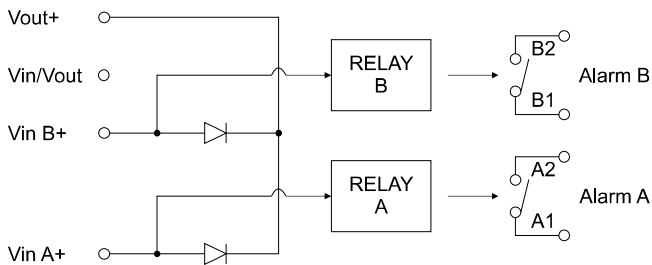


c. Single Use:

Connecting only one PSU to one SD-RDM20 to reduce the stress of the diodes and hence increase the reliability



■ **Block Diagram:**



■ **Derating Curve:**

