

ERX MODEL TABLE

Specification	OUTPUT VOLTAGE		OVP SETTING	OUTPUT CURRENT				CURRENT LIMIT (RECTANGULAR FIXED)	RIPPLE				NOISE (SPIKE)	EFFICIENCY
Unit	Volts		Volts	Amps				Amps	mV				mV	Percent
Condition	Factory set (1)	Adjustment range	Nom. input 25°C	40°C	50°C	60°C	71°C	25°C nom input	Source typ	max	p-p Switching typ	max	d-c to 50MHz p-p	typ
30 WATT MODELS														
ERX 5-6	5	4.5-5.5	5.8-6.9	6.0	4.8	3.6	2.4	6.3-7.8	5	10	40	70	150	68%
ERX 12-2.5	12	10.8-13.2	13.7-15.7	2.5	2.0	1.5	1.0	2.6-3.3	20	40	40	80	300	
ERX 15.2	15	13.5-16.5	17.0-19.0	2.0	1.6	1.2	0.8	2.1-2.6	20	40	40	80	300	
ERX 24-1.3	24	21.6-26.4	27.9-30.5	1.3	1.0	0.8	0.5	1.4-1.7	30	50	40	100	400	
60 WATT MODELS														
ERX 5-12	5	4.0-5.5	5.8-6.9	12.0	9.6	7.2	4.8	12.6-15.6	5	10	30	50	150	72%
ERX 12-5	12	8.4-13.2	13.7-15.7	5.0	4.0	3.0	2.0	5.2-6.5	20	40	40	80	300	
ERX 15-4	15	10.5-16.5	17.0-19.0	4.0	3.2	2.4	1.6	4.2-5.2	20	40	40	80	300	
ERX 24-2.5	24	16.8-26.4	27.9-30.5	2.5	2.0	1.5	1.0	2.6-3.3	30	50	40	100	400	
120 WATT MODELS														
ERX 5-24	5	4.0-5.5	5.8-6.9	24.0	19.2	14.4	9.6	25.2-31.2	5	10	40	70	150	74%
ERX 12-10	12	8.4-13.2	13.7-15.7	10.0	8.0	6.0	4.0	10.5-13.0	20	40	40	80	300	
ERX 15-8	15	10.5-16.5	17.0-19.0	8.0	6.4	4.8	3.2	8.4-10.4	20	40	40	80	300	
ERX 24-5	24	16.8-26.4	27.9-30.5	5.0	4.0	3.0	2.0	5.2-6.5	30	50	40	100	400	
240 WATT MODELS														
ERX 5-48	5	4.0-5.5	5.8-6.9	48.0	38.4	28.8	19.2	50.4-52.8	5	10	50	90	150	80%
ERX 12-20	12	8.4-13.2	13.7-15.7	20.0	16.0	12.0	8.0	21.0-22.0	20	50	50	100	300	
ERX 15-16	15	10.5-16.5	17.0-19.0	16.0	12.8	9.6	6.4	16.8-17.6	20	50	50	100	300	
ERX 24-10	24	16.8-26.4	27.9-30.5	10.0	8.0	6.0	4.0	11.2-12.0	30	60	50	120	400	

(1) Nominal input, maximum load, 25°C.

ERX INPUT CHARACTERISTICS

SPECIFICATION	30 WATT MODELS	60 WATT MODELS	120 WATT MODELS	240 WATT MODELS	CONDITION	
Voltage range	85-132 or 170-264V a-c; 240 to 370V d-c(4)				Jumper selectable(1)	
Brownout voltage	80/160V a-c; 220V d-c(4)				115/230V a-c	
Current	typ	0.6/0.3A	1.4/0.7A	2.3/1.2A	4.2/2.0A	115/230V a-c
	max	0.8/0.4A	1.6/0.8A	2.8/1.4A	4.6/2.3A	
Fuse value	2.5A	3.15A	5.0A	6.3A		
Initial turn-on surge first ½ cycle	41/82A	41/82A	17/34A	17/34A	115/230V a-c rated load 25°C cold start	
Frequency	Nominal 50/60Hz; range 47-440Hz(2)					
EMI	Meets conducted noise standard of FCC 20780, Class B				Conducted	
Soft-start circuit	Power thermistor		Resistor & triac			
Leakage current	2mA max				UL method 230V a-c	
Start-up time	500msec max				Std.(3)	
Hold-up time	typ	30msec			Std.(3)	
	min	20msec				
Circuit type	Flyback bipolar	Forward converter bipolar	Forward converter bipolar	Forward converter dual FET		
Switching frequency	30-100KHz	50KHz	50KHz	100KHz	115/230V a-c	

(1) For d-c, set selector to '230'

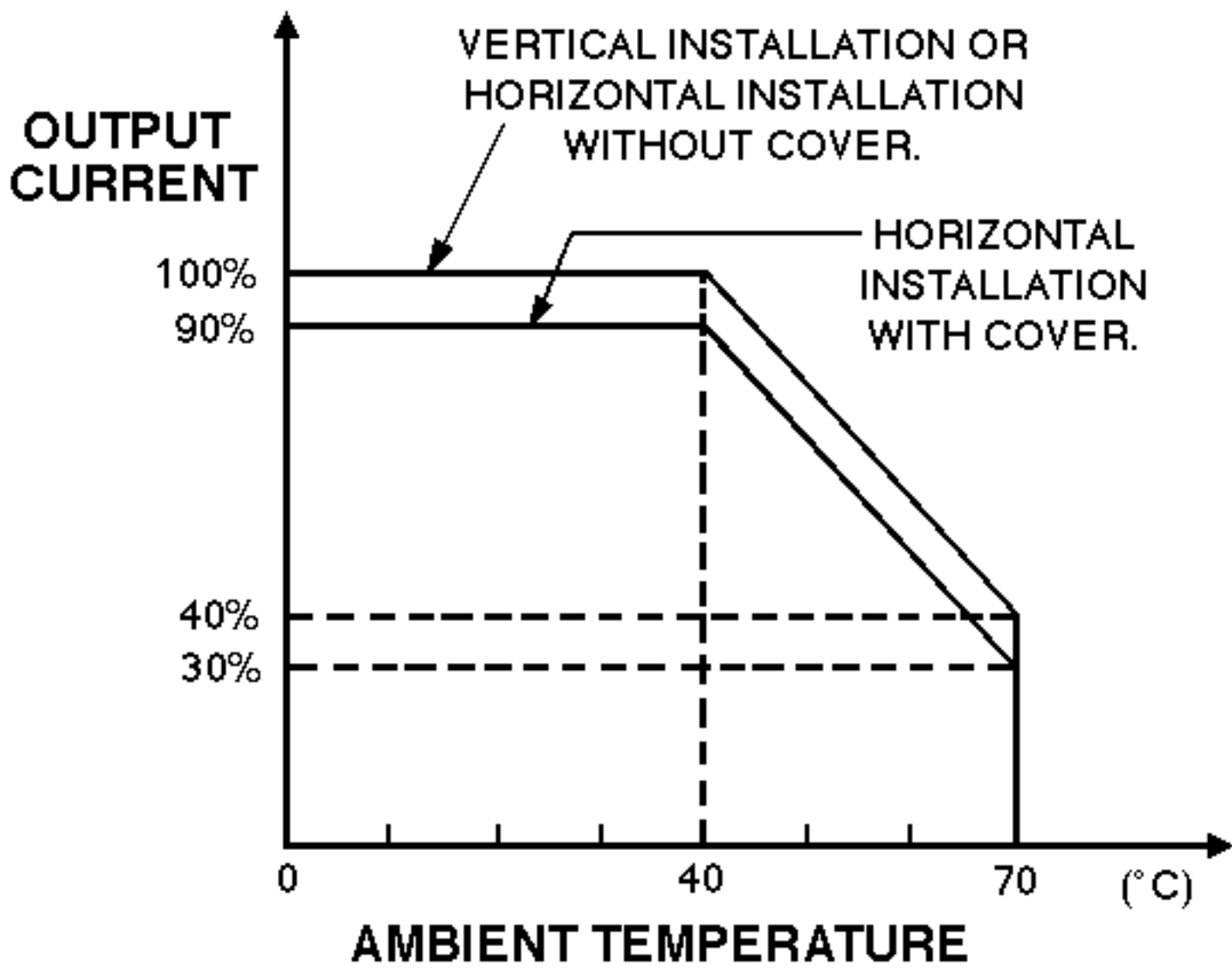
(2) At 440Hz the leakage current exceeds the VDE/UL safety specification limits.

(3) Std. condition = nominal input, maximum load, 25°C.

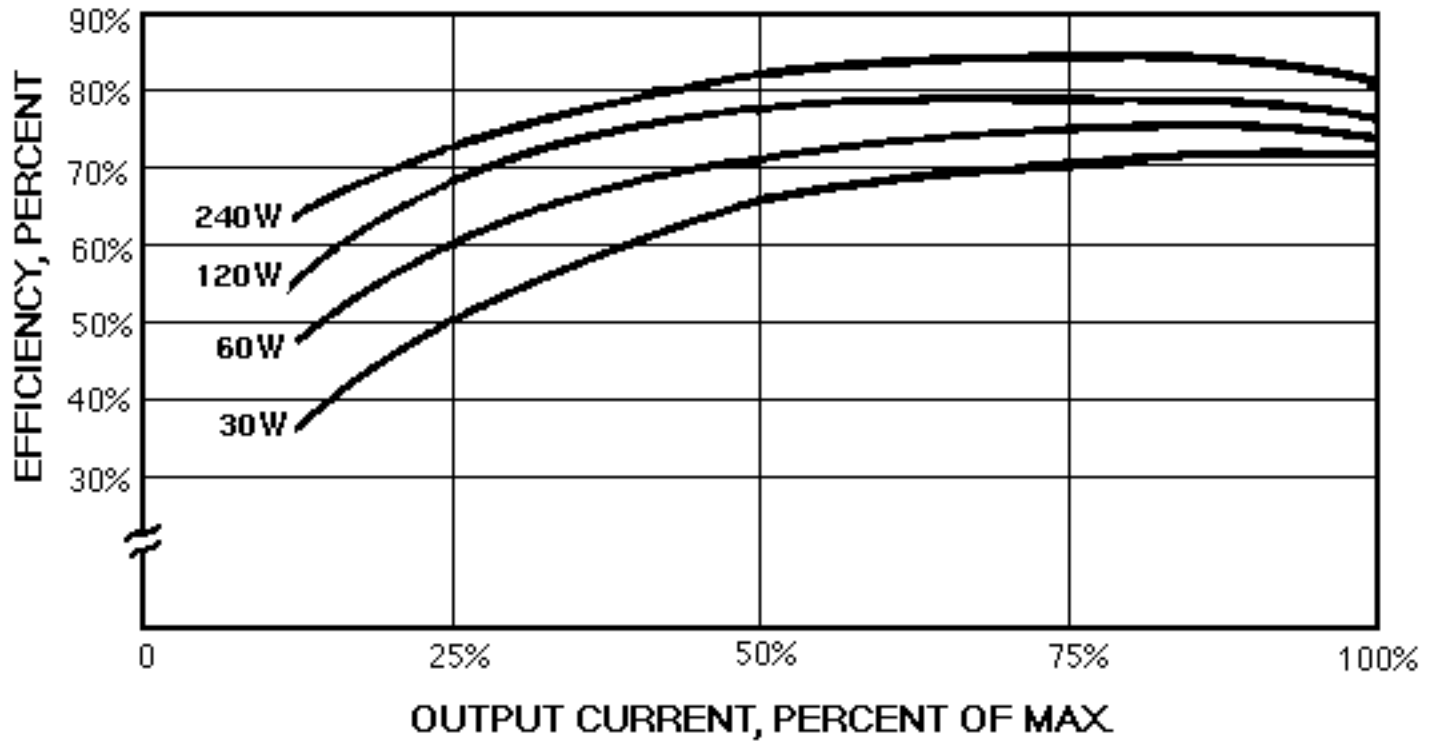
(4) Safety approval is valid for a-c operation only.

ERX GENERAL SPECIFICATIONS

SPECIFICATION	RATING/DESCRIPTION	CONDITION
Temperature	0-71°C (see model table)	Operating
	-40 to +75°C	Storage
Humidity	95% RH	Non-condensing Operating and storage
Shock	20g, 3 axes (11msec ± 5msec pulse duration)	Non-operating 3 shocks each axis
Vibration	5-10MHz: 10mm amplitude, 3 axes	Non-operating 1 hour each axis mounted by base
	10-55Hz: 2g, 3 axes	
Isolation	Output to case 500V d-c, 100MΩ	25°C, 65% RH
Withstand voltage	Input to output 3.75KV a-c for 1 minute	20°C, 65% RH Y capacitor removed
	Input to case 1.25KV a-c for 1 minute	25°C, 65% RH
Safety	UL 1950, CSA 1402C, EN 60950 approved by TÜV	
Type of construction	PC card, L-chassis	
Enclosure	Steel	Optional
Cooling	Convection	



TYPICAL EFFICIENCY VS. LOADING



30 WATT MODELS

	Wafer	Housing	Terminal	Maker
INPUT	5219-04A	3191-04R1	1381 ATL	Molex
OUTPUT	5277-8A	5196 Series	5194 Series	Molex

DIMENSIONS

- inches: 2.17 x 4.84 x 5.51
- mm: - 55 x 123 x 140

NET WEIGHT

1.5 lbs, 0.7 Kg

OPTIONAL STEEL ENCLOSURE INPUT OUTPUT CABLE KIT

CA 15

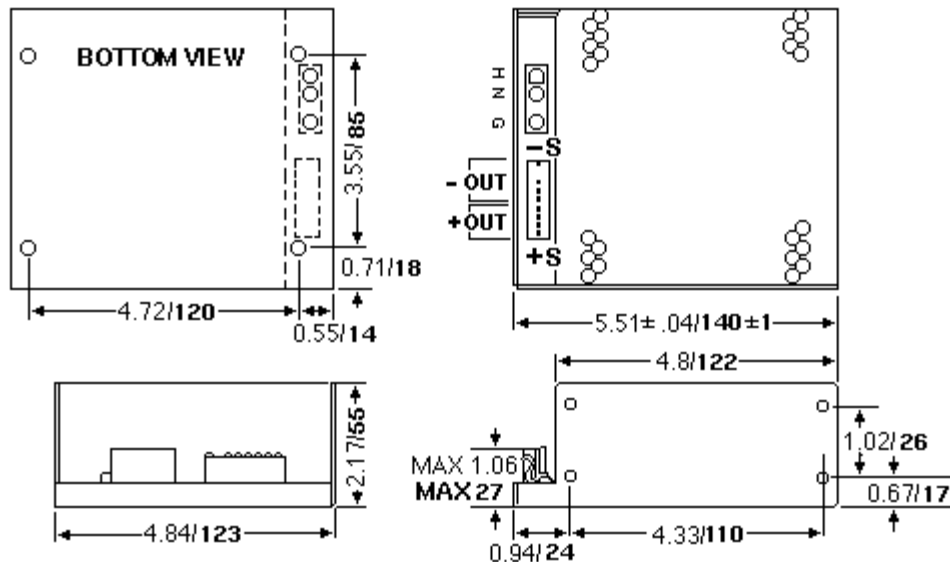
219-0147

Dimensions in light face type are in inches, dimensions in bold face type are in millimeters.

Tolerance: $\pm 0.03"$ (0.7mm) unless otherwise noted

Mounting: 8-32 tapped holes - (4) bottom; (4) side; maximum screw penetration 0.2" (5mm)

NOTE: Don't take output current from +s, -s terminals of 30W, 60W, 120W models.



60 WATT MODELS

	Wafer	Housing	Terminal	Maker
INPUT	5219-04A	3191-04R1	1381 ATL	Mdex
OUTPUT	5277-10A	5196 Series	5194 Series	Mdex

DIMENSIONS

- inches: 2.36 x 4.84 x 7.09
- mm: - 60 x 123 x 180

NET WEIGHT

1.5 lbs, 0.7 Kg

OPTIONAL STEEL ENCLOSURE INPUT OUTPUT CABLE KIT

CA 16

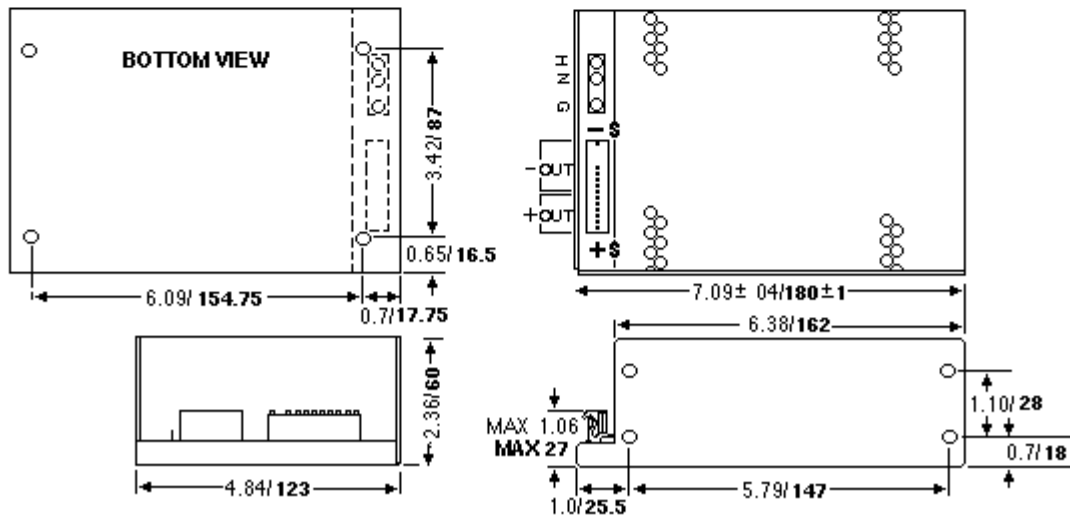
219-0145

Dimensions in light face type are in inches, dimensions in bold face type are in millimeters.

Tolerance: $\pm 0.03"$ (0.7mm) unless otherwise noted

Mounting: 8-32 tapped holes - (4) bottom; (4) side; maximum screw penetration 0.2" (5mm)

NOTE: Don't take output current from +s, -s terminals of 30W, 60W, 120W models.



120 WATT MODELS

	Wafer	Housing	Terminal	Maker
INPUT	5219-04A	3191-04R1	1381 ATL	Molex
OUTPUT	5219-06A	3191-04R1	1381 ATL	Molex

DIMENSIONS

- inches: 2.76 x 4.84 x 8.90
- mm: - 70 x 123 x 180

NET WEIGHT

3.1 lbs, 1.4 Kg

OPTIONAL STEEL ENCLOSURE INPUT OUTPUT CABLE KIT

CA 17

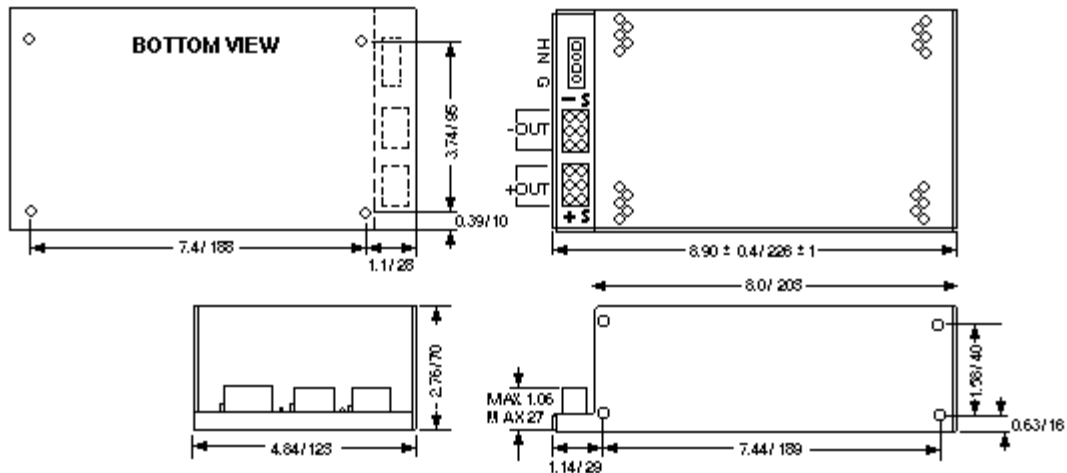
219-0146

Dimensions in light face type are in inches, dimensions in bold face type are in millimeters.

Tolerance: $\pm 0.03"$ (0.7mm) unless otherwise noted

Mounting: 8-32 tapped holes - (4) bottom; (4) side; maximum screw penetration 0.2" (5mm)

NOTE: Don't take output current from +s, -s terminals of 30W, 60W, 120W models.



240 WATT MODELS

	Wafer	Housing	Terminal	Maker
INPUT	5219-04A	3191-04R1	1381 ATL	Mdex

DIMENSIONS

- inches: 2.76 x 4.84 x 12.91
- mm: - 70 x 123 x 328

NET WEIGHT

5.5 lbs, 2.5 Kg

OPTIONAL STEEL ENCLOSURE

CA 18

INPUT OUTPUT CABLE KIT

219-0169

Dimensions in light face type are in inches, dimensions in bold face type are in millimeters.

Tolerance: ± 0.03 " (0.7mm) unless otherwise noted

Mounting: 8-32 tapped holes - (4) bottom; (4) side; maximum screw penetration 0.2" (5mm)

