

FMP MODEL TABLE

SPECIFICATION	OUTPUT VOLTAGE		OUTPUT CURRENT	CURRENT LIMIT	RIPPLE (SOURCE & SWITCHING)	NOISE (SPIKE)	EFFICIENCY
Units	Volts		Amps	Amps	mV	mV	Percent
Condition	Factory set (1)	Adjustment range	0-50°C	Setting at 25°C nom input	Nom input max load p-p max	d-c to 50MHz(1) p-p max	Nom input max load typ
3 WATT MODELS							
FMP 5-0.6K	5.1	4.5-5.5	0-0.6	0.7~1.2	50	100	68%
FMP 12-0.25K	12.1	10.8-13.2	0-0.25	0.3~0.5	80	150	70%
FMP 15-0.2K	15.1	13.5-16.5	0-0.2	0.25~0.4	80	150	70%
FMP 24-0.13K	24.1	21.6-26.4	0-0.13	0.15~0.3	100	150	74%
10 WATT MODELS							
FMP 5-2K	5.1	4.5-5.5	0-2.0	2.2~3.3	50	100	75%
FMP 5-2BK	5.1	4.5-5.5	0-2.0	2.2~3.3	50	100	75%
FMP 12-0.85K	12.1	10.8-13.2	0-0.85	0.9~1.4	80	150	78%
FMP 15-0.7K	15.1	13.5-16.5	0-0.7	0.75~1.2	80	150	78%
FMP 24-0.45K	24.1	21.6-26.4	0-0.45	0.5~0.8	100	150	81%

(1) Nominal input, maximum load, 25°C.

FMP, FCP GENERAL SPECIFICATIONS

SPECIFICATION	RATING/DESCRIPTION	CONDITION
Temperature	0-71°C; See Fig. 1	Operating
	-40°C to 85°C	Storage
Humidity	95% RH	Non-condensing, operating & storage
Shock	20g peak, 1/2 sine pulse, 3 shocks each axis, 11 ±5msec duration	Non-operating
Vibration	5-10Hz: 10mm amplitude 10-55Hz: 2g acceleration, 1 hour each 3 axes	Non-operating
Isolation Output to case	500V d-c, 100MΩ	25°C, 65% RH
Withstand voltage Input to output Input to case	2KV a-c for 1 minute	25°C, 65% RH
	2KV a-c for 1 minute	
Safety	UL 1950 recognized; CSA 1402 certified	
Type of construction	PC card enclosed	
Enclosure	Plastic (UL 94V-1 or 94V-0)	
Cooling	Convection	

FMP, FCP INPUT CHARACTERISTICS

SPECIFICATION	RATING/DESCRIPTION	CONDITION
Voltage range	85-132V a-c, 110-170V d-c (2)	
Brownout voltage	80V a-c/105V d-c (2)	Low operating limit
Current	3W: 0.08A 10W: 0.25A	At 120V a-c
	3W: 0.1A 10W: 0.35A	At 85V a-c
Fuse value	External 125V fuse recommended 3W: 0.63A 10W: 1A	
Initial turn-on surge, first ½-cycle	16A max	120V a-c, rated load; 25°C cold start
Frequency	47-440Hz	Single phase
EMI	Meets conducted noise standard of FCC 20780, Class B	
Leakage current	0.5mA max	At 25°C (UL method)
Start-up time	100msec to reach 90% nom.	Std.(1)
Hold-up time	20msec min	Std.(1)
Circuit type	FMP: flyback FCP: Output #1: flyback Output #2: flyback plus linear post-regulators	
Switching frequency	80~300KHz (depending on load)	

(1) Std. condition = nominal input, maximum load, 25°C.

(2) Safety approval is valid for a-c operation only.

FMP, FCP OUTPUT CHARACTERISTICS

SPECIFICATION		RATING/DESCRIPTION	CONDITION
Source Effect	typ	0.1%	Minimum to maximum output
	max	0.5%	
Load Effect	typ	0.8%	10% to 100% load
	max	2.0%	
Temperature Effect	typ	1.0%	Nominal input, Nominal load, 0-50°C
	max	3.0%	
Combined Effect (source, load & temp.)	typ	+1.0%	
	max	+3.0%	
Time Effect (drift)		0.5%	0.5-8.5 hr, maximum load, 25°C
Recovery Characteristics	Excursion	<4.0%	Step load change from 50% to 100% of rated load. Nominal input, 25°C
	Recovery within ±1%	<1msec	
Overvoltage Protection		Zener diode	

OUTLINE DRAWING

DIMENSIONS (HxWxD)

- inches < 0.75 x 2.17 x 1.97
- mm < 19 x 55 x 50

WEIGHT (Packed for shipment)

- 3W: 2.82oz, 80gm

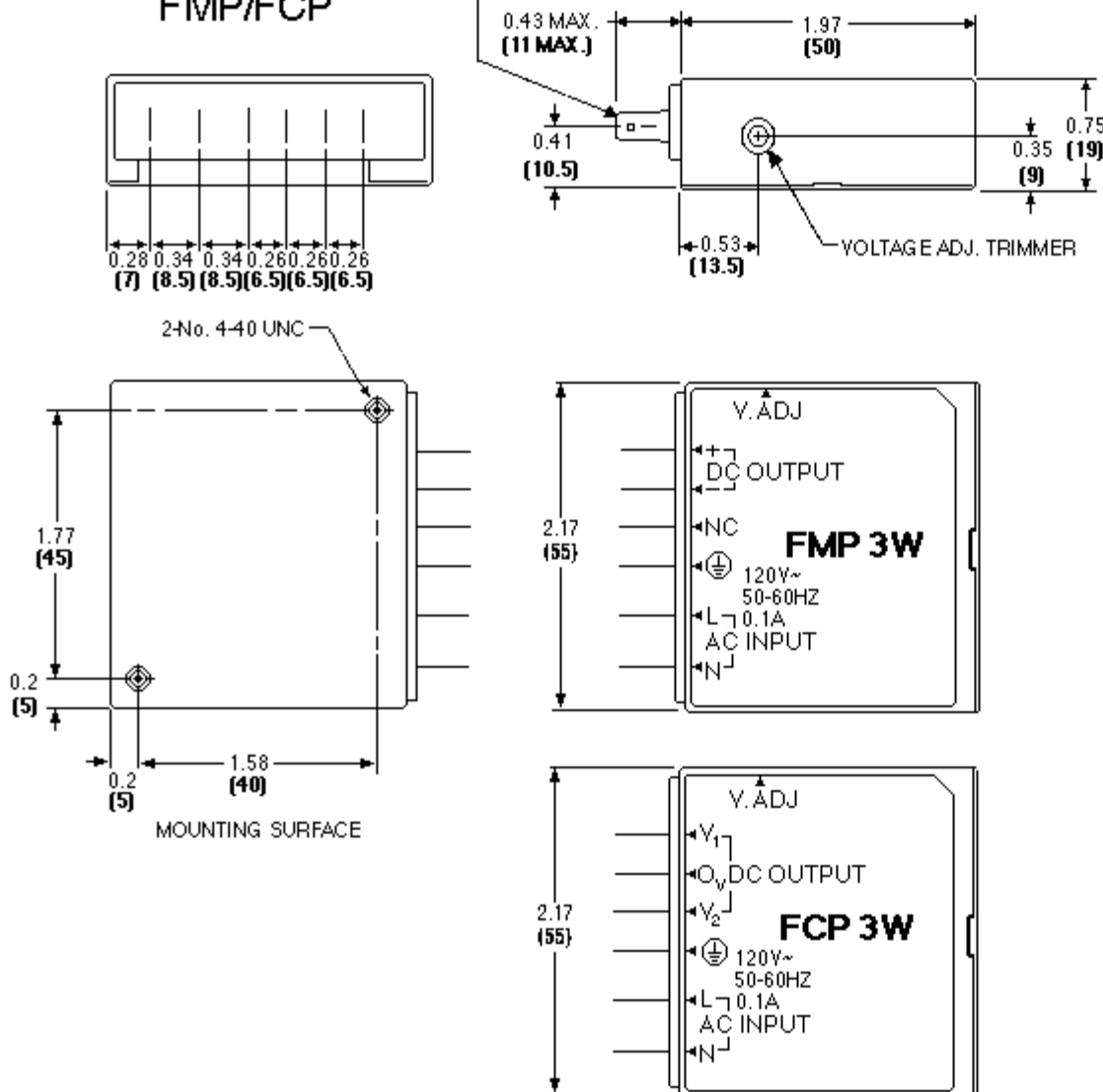
Fractional dimensions in light face type are in inches, dimensions in bold face type are in millimeters.

Tolerances: 0.4" (1.0mm) unless otherwise noted

Munting: 4-40 tapped holes --(2) side; maximum screw penetration 0.2" (5mm)

3 WATT MODELS FMP/FCP

Terminals .187 quick connect tabs mate with AMP Inc. FASTON 187 series or equivalent



OUTLINE DRAWING

DIMENSIONS (HxWxD)

- inches < 0.75 x 2.17 x 3.15
- mm < 19 x 55 x 80

WEIGHT (Packed for shipment)

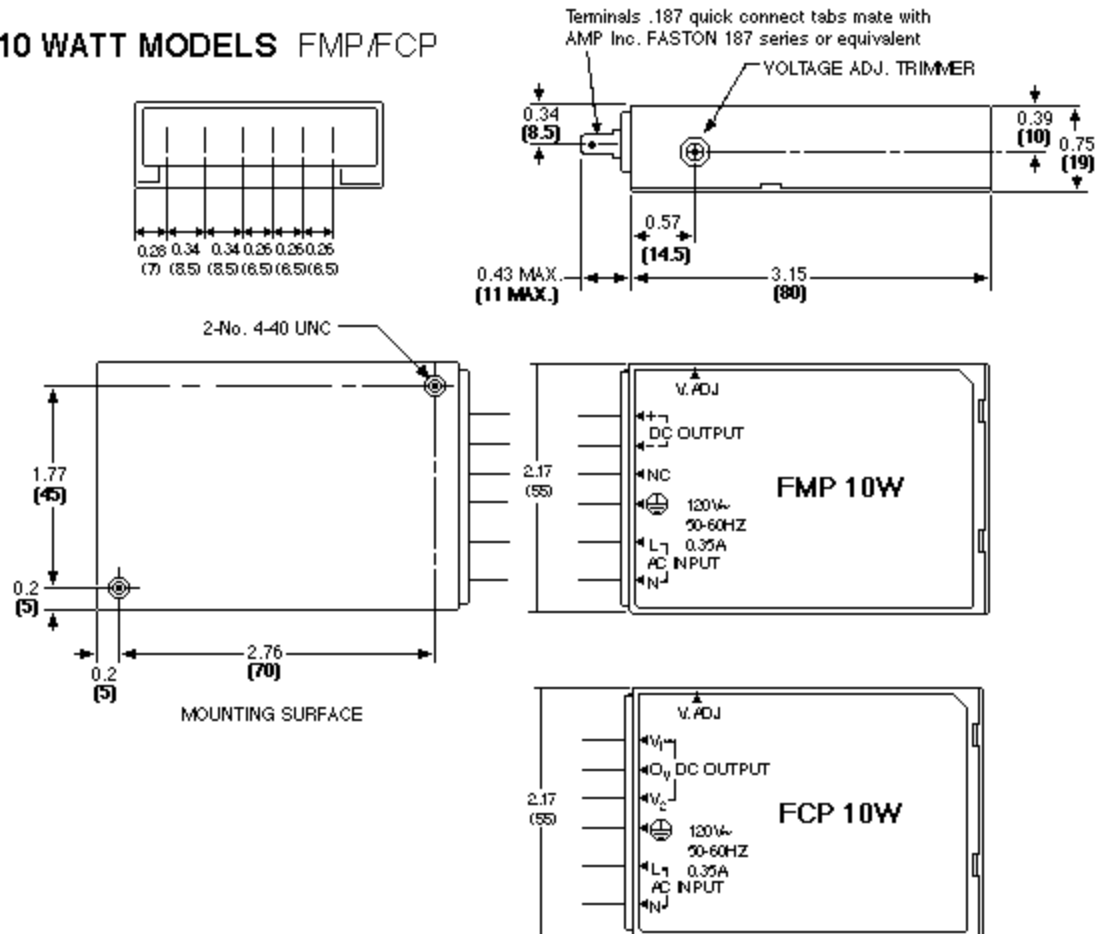
- 3.53oz, 100gm

Fractional dimensions in light face type are in inches, dimensions in bold face type are in millimeters.

Tolerances: 0.4" (1.0mm) unless otherwise noted

Munting: 4-40 tapped holes --(2) side; maximum screw penetration 0.2" (5mm)

10 WATT MODELS FMP/FCP



OUTLINE DRAWING

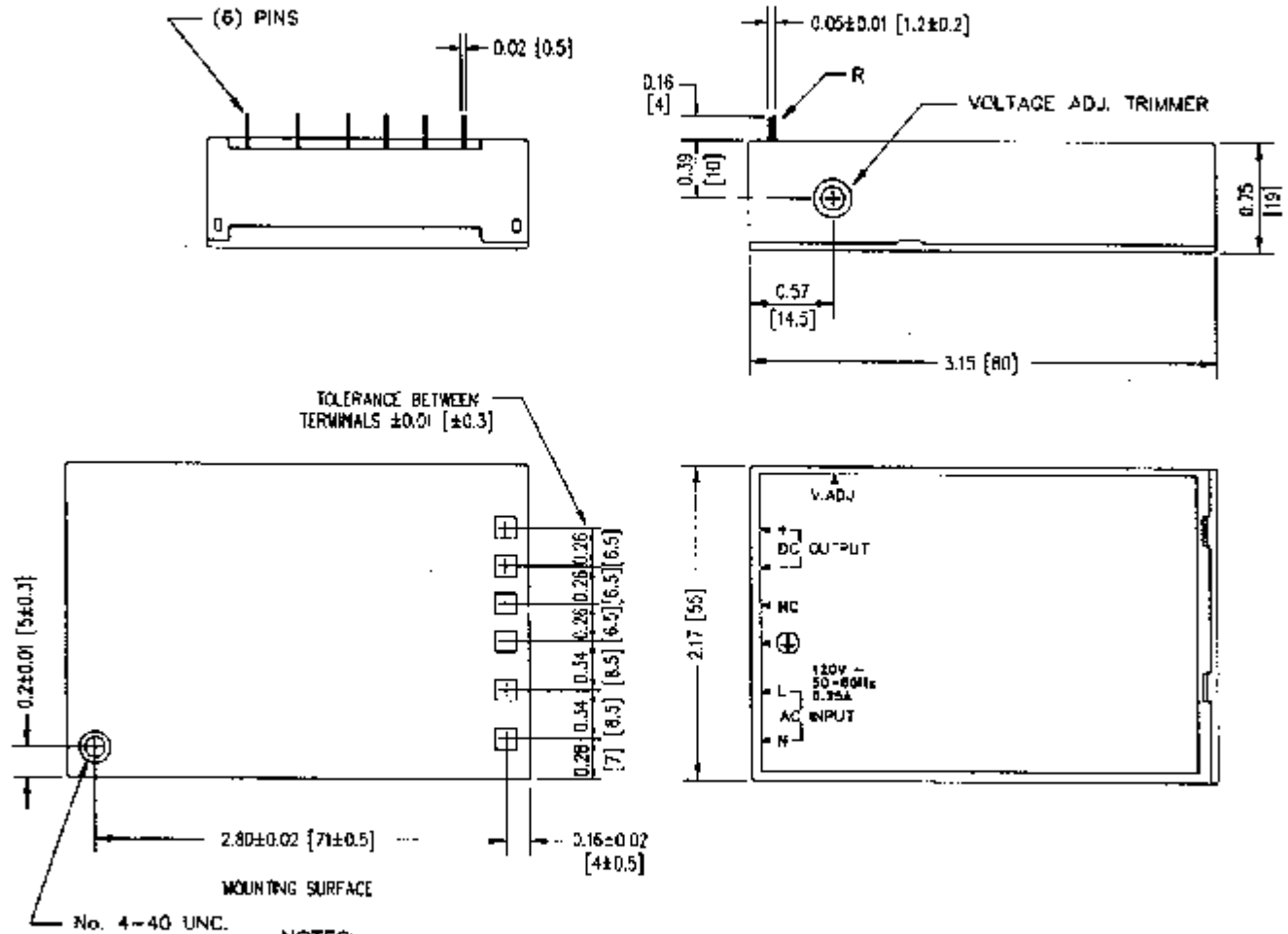
DIMENSIONS (HxWxD)

- inches $0.75 \times 2.17 \times 3.15$
- mm $19 \times 55 \times 80$

WEIGHT (Packed for shipment)

- 3.53oz, 100gm

Model FMP 5-2BK is available; for other PCB mount models, consult factory.



NOTES:

1. MATERIAL: PHENYLENE OXIDE
2. DIMENSIONS IN PARENTHESES ARE IN MILLIMETERS, OTHERS IN INCHES
3. TOLERANCE: ± 0.03 (± 0.7) UNLESS OTHERWISE NOTED
4. WEIGHT: 3.2 OZ (90 GR) MAX
5. MAXIMUM MOUNTING SCREW PENETRATION: 0.24 (6.0)
6. KEPSCO SUPPLIES THE FOLLOWING HARDWARE:
 - (1) NYLON WASHER FOR INSULATION, P/N 103-0107
 - (1) INT. TOOTH LOCK WASHER, P/N 103-0014
 - (1) 4-40 X .312 SCREW, P/N 101-0092