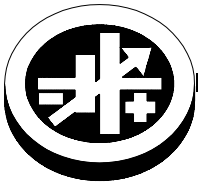


INSTRUCTION SHEET

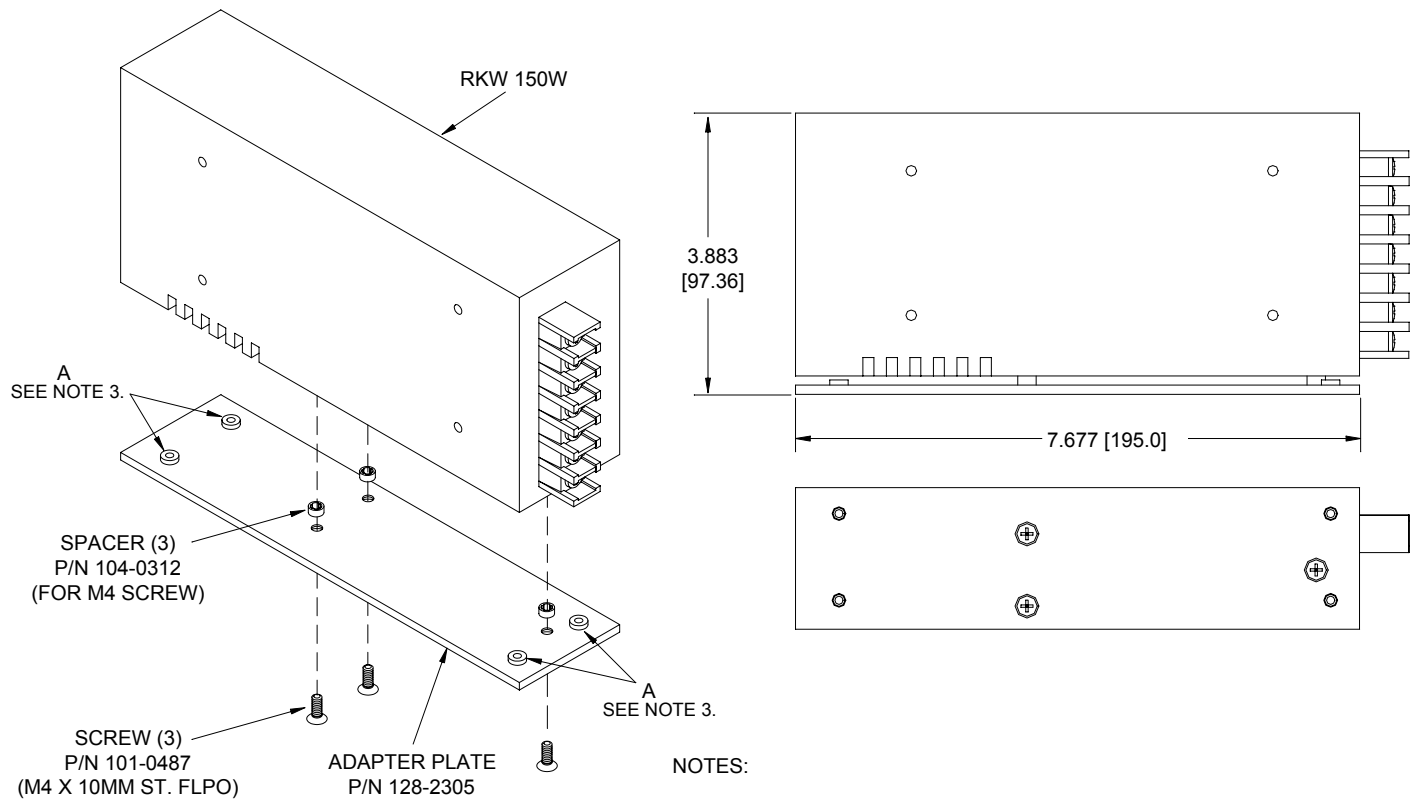


KEPCO An ISO 9001 Company.

**MA
FAW/RKW
150V**

MOUNTING ADAPTER FAW/RKW 150V

DESCRIPTION. The RoHS-compliant Model MA FAW/RKW 150V Mounting Adapter includes an adapter plate and mounting screws that allow a 150W RKW power supply to be easily substituted for a vertically-mounted 150W FAW power supply. Mount the adapter plate to the RKW power supply using the screws provided (see Figure 1), then install the adapter plate in place of the FAW power supply using the screws that previously secured the FAW power supply.



NOTES:

1. MOUNT ADAPTER PLATE TO RKW USING THREE SCREWS AND THREE SPACERS AS SHOWN.
2. INSTALL ADAPTER PLATE WITH RKW ATTACHED USING "A" HOLES AND FOUR SCREWS PREVIOUSLY USED TO MOUNT FAW POWER SUPPLY (NOT SUPPLIED).
3. MAX. PENETRATION AT "A" (SCREW 4-40) MUST NOT EXCEED 5MM.

FIGURE 1. ADAPTER PLATE INSTALLATION

KEPCO, INC. ● 131-38 SANFORD AVENUE ● FLUSHING, NY. 11355 U.S.A. ● TEL (718) 461-7000 ● FAX (718) 767-1102
<http://www.kepcopower.com> ● email: hq@kepcopower.com