

INSTRUCTION MANUAL



KEPCO An ISO 9001 Company.

**KIT
219-0572**

WIRING KIT FOR SERIES AE, AEK, AND ME-1200

1. DESCRIPTION.

Kepeco KIT, Model 219-0572 supplies a mating connector and preterminated wires that allow convenient wiring of AE Series, AEK Series and ME-1200 Series power supplies.

2. MATERIAL SUPPLIED (SEE TABLE 1.)

Table 1 lists the contents of this kit.

TABLE 1. MATERIAL SUPPLIED

ITEM	DESCRIPTION	KEPCO PART NUMBER	QUANTITY
Mating Connector	Mates with 24-pin power supply connector.	142-0601	1
Wire	24 AWG. Six (6) wires are 36" long, terminated at one end with a connector contact. Five (5) wires are terminated at both ends with connector contacts: one (1) is 16" long (for current share, two wires required) and four (4) are 1.5" long for local sensing and remote on/off.	N/A	11
Instruction Sheet	Describes the contents and use of KIT 219-0572.	228-1810	1

3. INSTALLATION

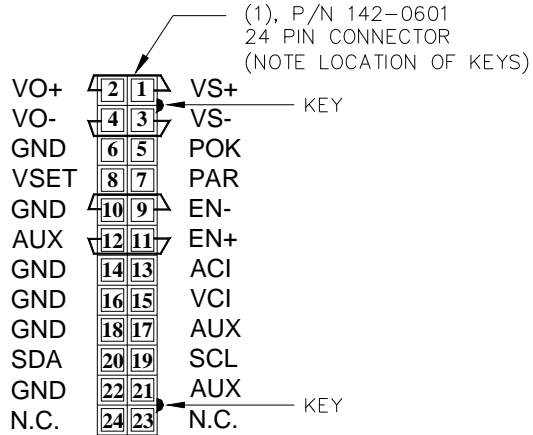
1. Refer to the applicable data sheet for connection details for the desired function. The data sheets are available for download from the Kepeco web site as follows:

AE-800 <http://www.kepcopower.com/aemod.htm>
AE-1500 <http://www.kepcopower.com/aemod.htm>
AE-3000 <http://www.kepcopower.com/aemod.htm>
AEK-3000 <http://www.kepcopower.com/aekmod.htm>
AEK-3000HV <http://www.kepcopower.com/aekmod.htm>
ME-1200 <http://www.kepcopower.com/memod.htm>

2. Remove jumpers pre-installed on CN2 of the power supply.
3. Install terminated ends of wires into mating connector provided in this kit as specified in Table 2 to activate desired power supply function. Refer to Figure 1 for pin locations (observe key location to identify proper pin). Note that removal of default jumpers means that function must be restored by making connections via the mating connector using the wires supplied.
4. After connections are made, install mating connector on CN2 (CN 5 for AEK-3000HV Series)

KEPCO, INC. ● 131-38 SANFORD AVENUE ● FLUSHING, NY. 11355 U.S.A. ● TEL (718) 461-7000 ● FAX (718) 767-1102
<http://www.kepcopower.com> ● email: hq@kepcopower.com

- NOTES:
1. OBSERVE LOCATION OF KEYS TO ENSURE PIN NUMBERS ARE CORRECT.
 2. WIRES SHOWN INSTALLED FOR LOCAL SENSING: PINS 1-2 AND 3-4.
 3. WIRES SHOWN INSTALLED FOR REMOTE OPERATION INHIBITED (POWER SUPPLY ON): PINS 9-10 AND 11-12.



3043868

FIGURE 1. MATING CONNECTOR FOR CN2, CN5

TABLE 2. FUNCTIONS SUPPORTED BY KIT 219-0572

Function Supported	Power Supply Connector CN2 ⁽¹⁾	
	From Pin	To Pin
Local Sense ^{(2) (3)}	1 (VS+)	2 (VO+)
	3 (VS-)	4 (VO-)
Remote Sense ^{(2) (3)}	1 (VS+)	load
	3 (VS-)	load
Power Supply ON (no remote enable)	9 (EN-)	10 GND ⁽⁴⁾
	11 (EN+)	12 (AUX) ⁽⁴⁾
Remote Enable	12 (AUX) ⁽⁴⁾	(5)
	11 (EN+)	(5)
	9 (EN-)	(5)
	10 (GND) ⁽⁴⁾	(5)
Current Share ⁽⁵⁾⁽⁶⁾	7 (PAR)	7 (PAR)
	14 (GND) ⁽⁴⁾	14 (GND) ⁽⁵⁾
Current Programming	13 (ACI)	(5)
	14 (GND) ⁽⁴⁾	(5)
Voltage Programming	15 (VCI)	(5)
	16 (GND) ⁽⁴⁾	(5)

(1) Connector designation is CN5 for AEK-3000HV.
(2) Not applicable to AEK-3000HV.
(3) For AE-3000 local or remote sensing, either install connections to CN2 using kit (as shown above), or use CN4 as shown in data sheet, but not both. Wiring for CN4 is not covered in this kit.
(4) Alternate pins for AUX (12, 17, 21) and GND (6, 10, 14, 16, 18, 22) are available. See Figure 1.
(5) See applicable data sheet for connections.
(6) Current sharing between two power supplies requires two separate kits.