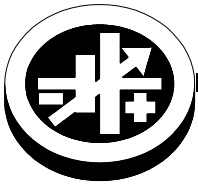


INSTRUCTION SHEET



KEPCO An ISO 9001 Company.

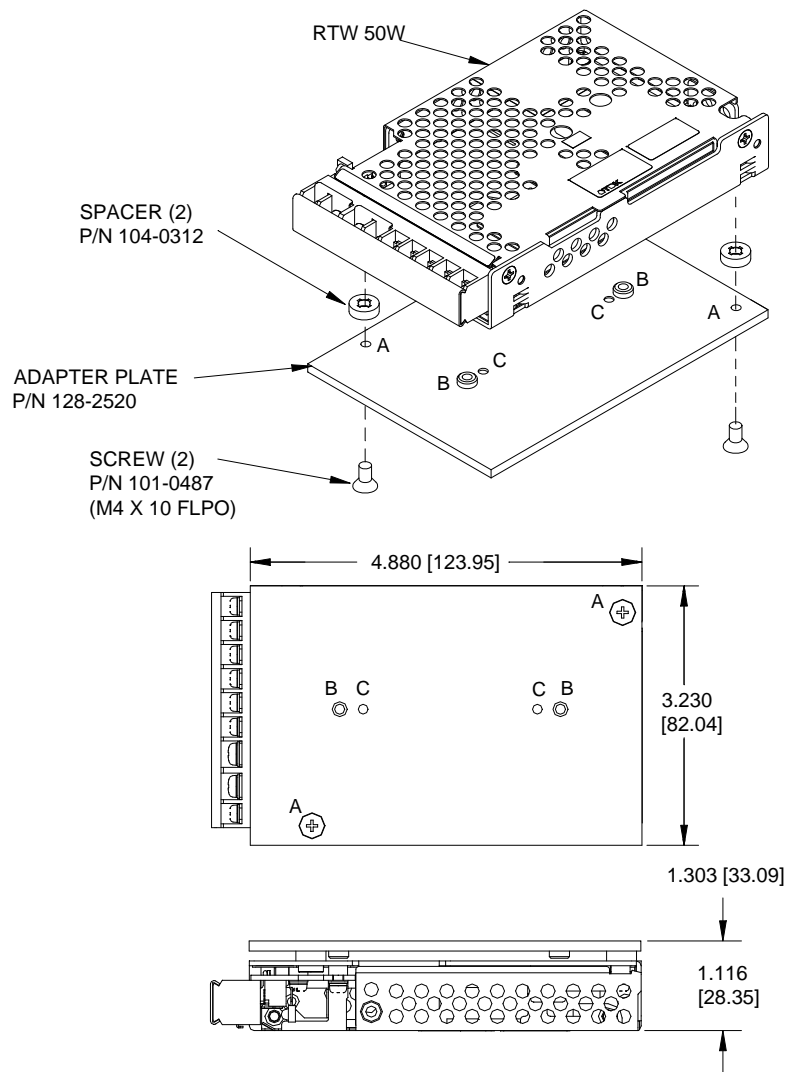
**MA
RKW/RTW
30/50H**

MOUNTING ADAPTER RKW30/RTW50H

DESCRIPTION. The Model MA RKW30/RTW50H allows 30W RKW power supplies to be directly replaced by 50W RTW power supplies. Each Mounting Adapter includes an adapter plate and mounting screws that allow a horizontally-mounted 50W RTW power supply to be easily substituted for a horizontally-mounted 30W RKW power supply. Note that some RTW dimensions may exceed corresponding RKW dimensions; verify proper fit prior to installation. Mount the adapter plate to the RTW power supply using the screws provided (see Figure 1), then install the adapter plate in place of the RKW power supply using the screws that previously secured the RKW power supply.

NOTES:

1. MOUNT ADAPTER PLATE TO RTW POWER SUPPLY AT HOLES "A" USING TWO SCREWS AND TWO SPACERS PROVIDED.
2. INSTALL ADAPTER PLATE WITH RTW ATTACHED USING HARDWARE PREVIOUSLY USED TO MOUNT RKW POWER SUPPLY AT "C" (NOT SUPPLIED).



3044335

FIGURE 1. ADAPTER PLATE INSTALLATION

KEPCO, INC. ● 131-38 SANFORD AVENUE ● FLUSHING, NY. 11355 U.S.A. ● TEL (718) 461-7000 ● FAX (718) 767-1102
<http://www.kepcopower.com> ● email: hq@kepcopower.com