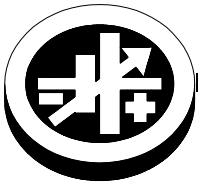


INSTRUCTION SHEET



KEPCO An ISO 9001 Company.

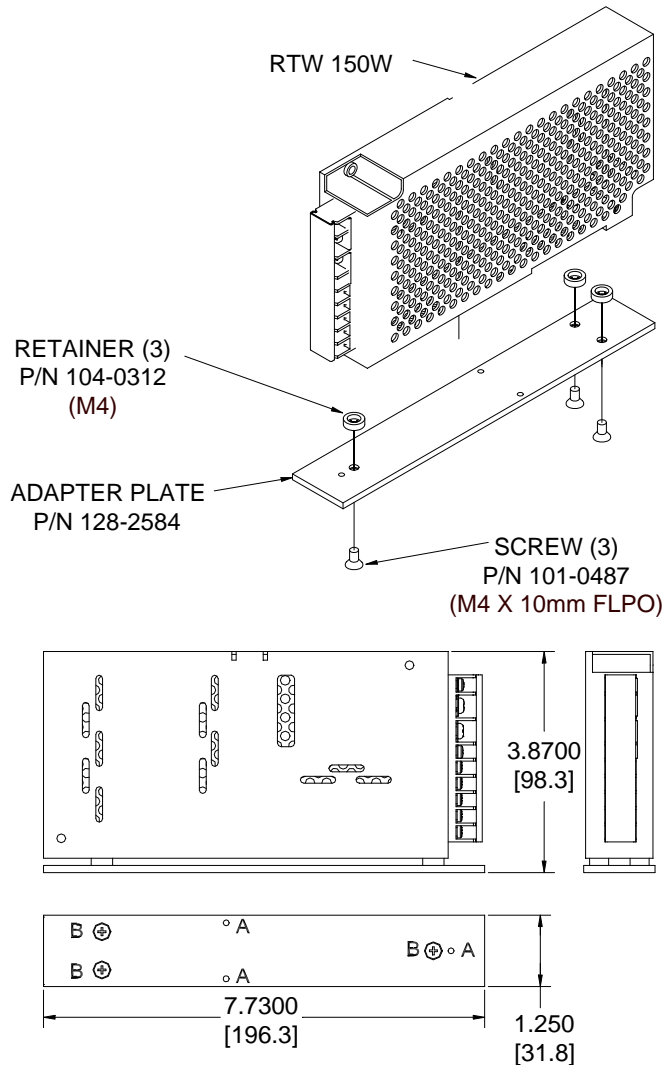
**MA
RKW/RTW
150V**

MOUNTING ADAPTER RKW/RTW-150V

DESCRIPTION. The Model MA RKW/RTW-150V allows 150W RKW power supplies mounted vertically to be directly replaced by 150W RTW power supplies. Each Mounting Adapter includes an adapter plate and mounting screws and retainers that allow a vertically-mounted 150W RTW power supply to be easily substituted for a vertically-mounted 150W RKW power supply. Note that some RTW dimensions may exceed corresponding RKW dimensions; verify proper fit prior to installation. Mount the adapter plate to the RTW power supply using the screws and retainers provided (see Figure 1), then install the adapter plate in place of the RKW power supply using the screws that previously secured the RKW power supply.

NOTES:

1. MOUNT ADAPTER PLATE TO RTW POWER SUPPLY AT HOLES "B" USING THREE SCREWS AND THREE RETAINERS PROVIDED.
2. INSTALL ADAPTER PLATE WITH RTW ATTACHED USING HARDWARE PREVIOUSLY USED TO MOUNT RKW POWER SUPPLY AT "A" (NOT SUPPLIED).



3044512

FIGURE 1. ADAPTER PLATE INSTALLATION

KEPCO, INC. ● 131-38 SANFORD AVENUE ● FLUSHING, NY. 11355 U.S.A. ● TEL (718) 461-7000 ● FAX (718) 767-1102
www.kepcopower.com ● email: hq@kepcopower.com